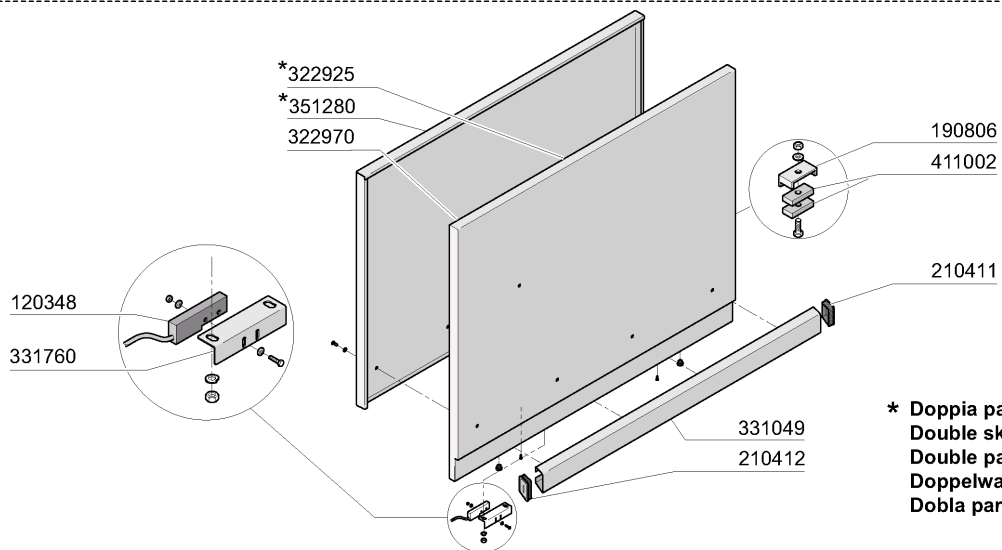
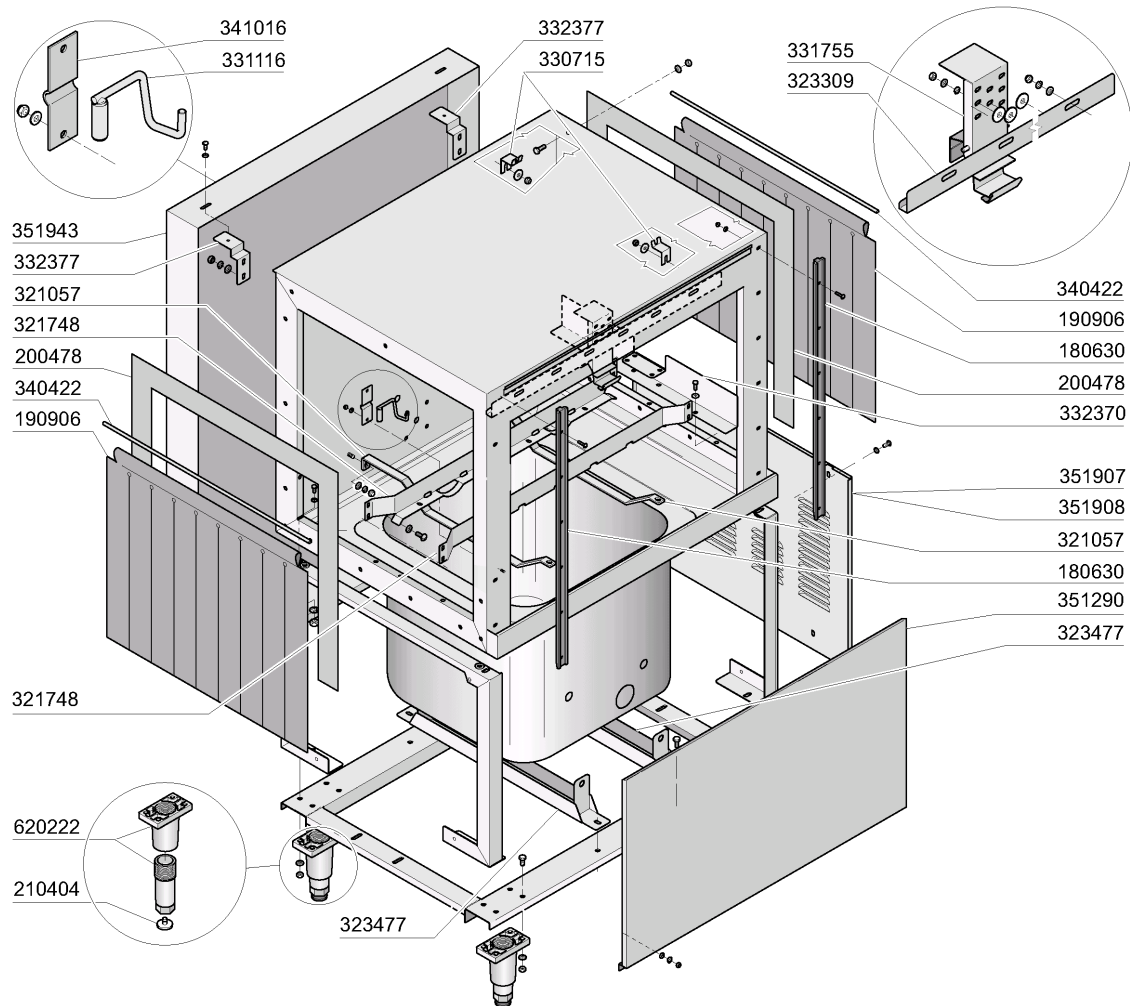


2 - prewash hood 900mm

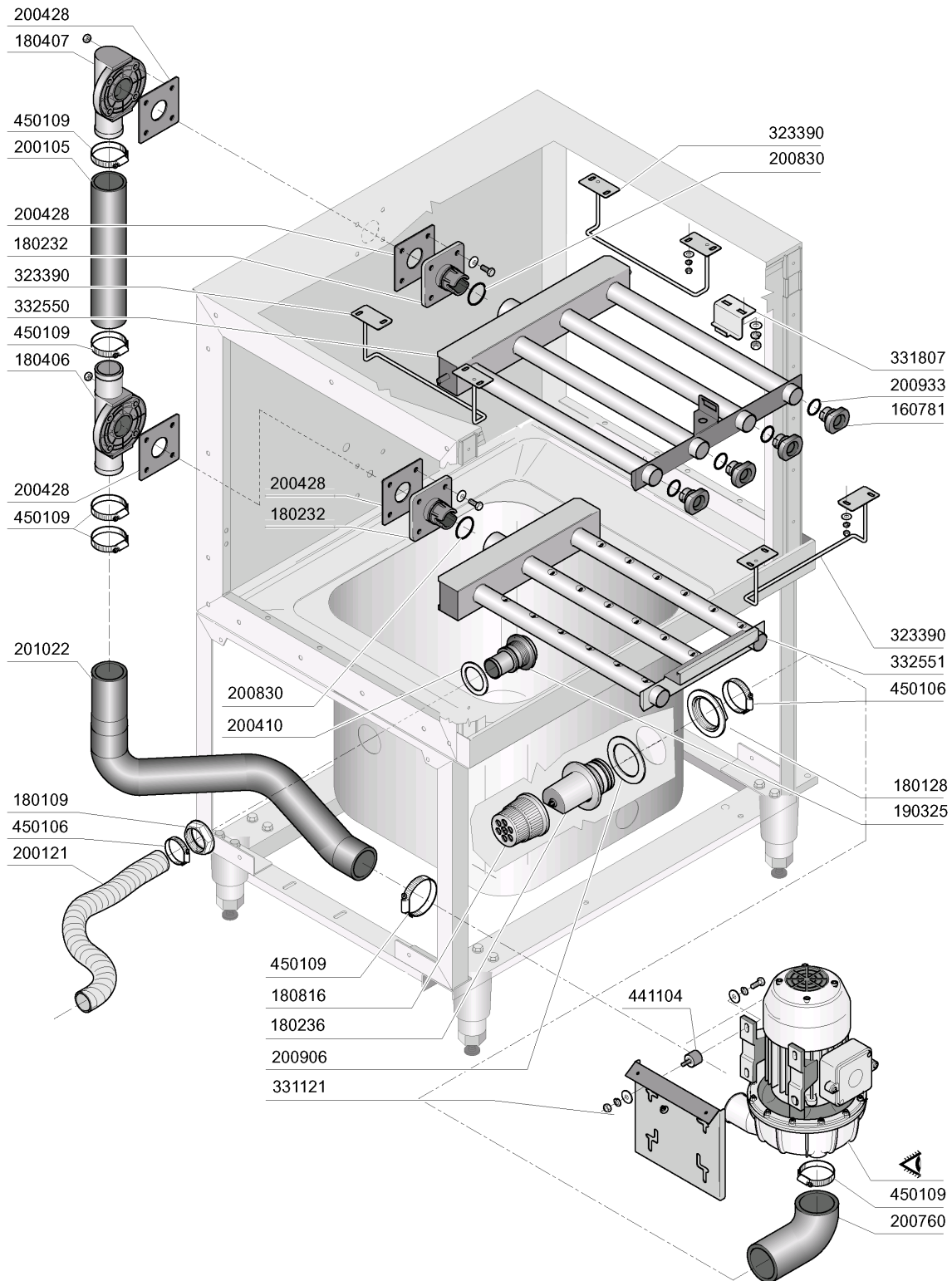


M.G. 10/06

2 - prewash hood 900mm

CODE	DESCRIPTION
120348	MAGN.SWITCH (N.O.)
180630	DOUBLE SKINNED DOOR RUNNER -AC
190806	MAGNET HOUSING
190906	CURTAIN IN/OUT 620X480
200478	SELF-ADHESIVE GASKET 65X4
210404	BLACK RUBBER FOOT S90 NE SE
210411	RIGHT PLUG FOR ACR/AC HANDLE
210412	LEFT PLUG FOR ACR/AC HANDLE
321057	LOWER WASH ARM SUPPORT
321748	GUIDE
322925	DOOR 900 ACR
322970	DOOR 900MM ACR NEW
323309	PARASPRUZZI PER CAPOT 900
323477	TRAVERSA SOST.VASCHE AC/ACR
330715	UPPER BRACKET CURTAIN SNL-SE
331049	900MM DOOR HANDLE ACR
331116	DOOR SECURITY HOOK
331755	HOOK FOR DOOR SUPPORT
331760	BRACKET
332370	PARASPRUZZI E SUPP.AC/ACR 2001
332377	SQUADR.AGG.PANN.POST.AC/R/2001
340422	SHAFT FOR CURTAIN AC-ACR
341016	BRACKET FOR DOOR SECURITY HOOK
351280	INSUL.PANEL FOR DOOR 900 ACR
351290	FRONT PANEL ACR
351907	PANN.LAT.LE SX AC COIBENTATE
351908	PANN.LAT.LE DX AC COIBENTATE
351943	BACK PANEL 900
411002	PERMANENT MAGNET 24X12
620222	COMPLETE ALUMINIUM LEGS

3 - prewash column 900mm

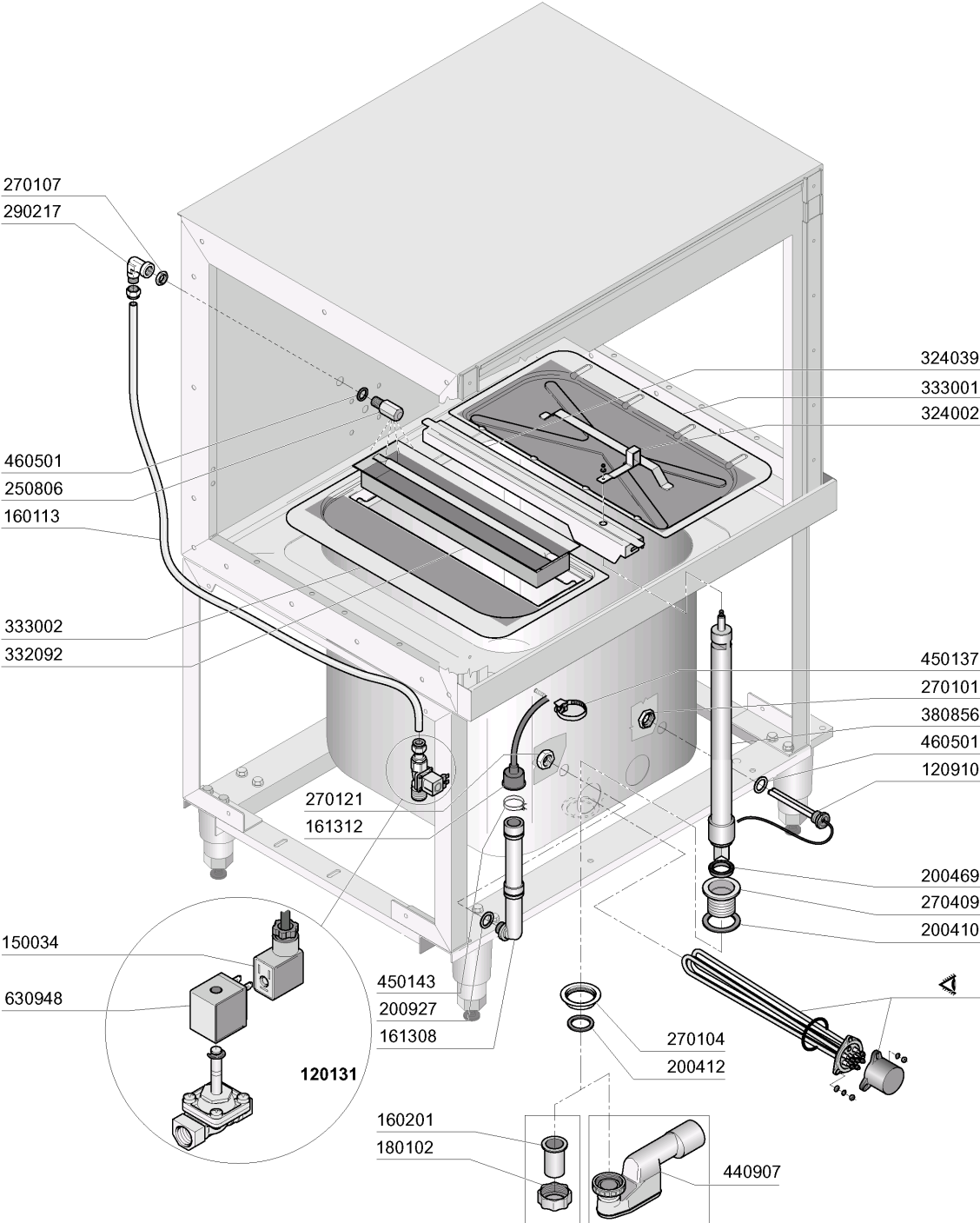


M.G. 01/08

3 - prewash column 900mm

CODE	DESCRIPTION
160781	PLUG FOR COLLECTOR NEW AC
180109	LOCK NUT 1 1/2"
180128	RING NUT 65,4 C140 C85
180232	WASH ARM FLANGE SNL
180236	PUMP SUCTION FOR AC-ACR-C155
180406	T-CONNECTOR F. WASHING S90-SNL
180407	ELBOW S90 S N L
180816	STRAINER OF INLET PUMP AC-ACR
190325	OVERFLOW CONNECTOR
200105	RUBBER HOSE 50X60
200121	RUBBER HOSE 45X55
200410	DRAIN OUTL.WASH.1 1/2"65X47X2
200428	GASKET 100X100X3 NEOTEN
200760	SUCTION HOSE FOR ACR
200830	O-RING 37,3X44,5X3,6
200906	GASKET D.92X66X2
200933	OR 24/32/4 FOR PLUG COLLECTOR
201022	OUTLET HOSE AC91-AC101
323390	GUIDE
331121	FIXING PLATE FOR PUMP ACR
331807	BRACKET
332550	UPPER 900 PREWASH ARM ACRS
332551	LOWER 900 PREWASH ARM ACRS
441104	VIBRATION-DAMPING FEET FOR ACR
450106	CLAMP FE ZN 32-44 H=12,2
450109	CLAMP 50-65

4 - prewash tank 900mm

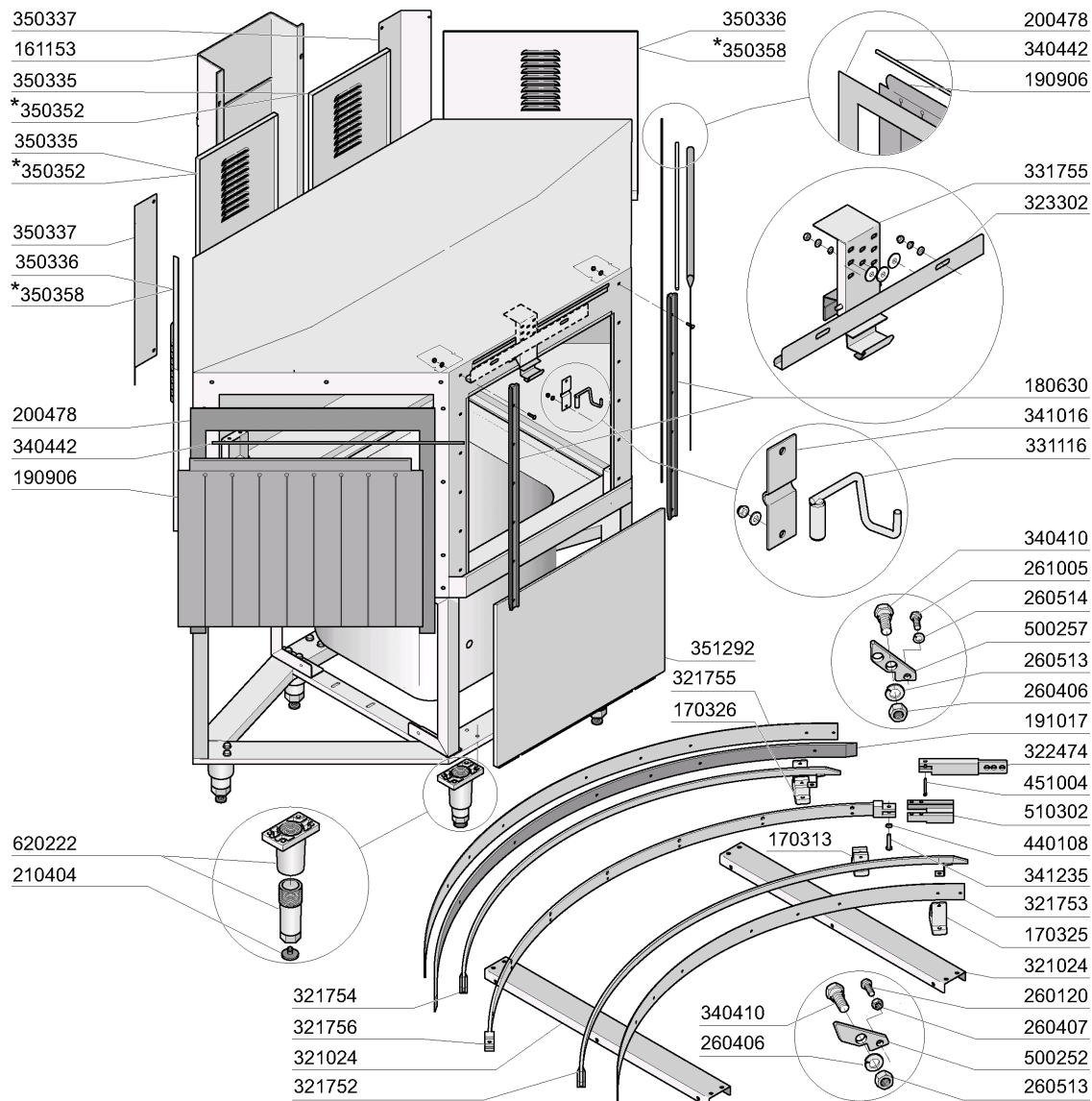


M.G. 01/08

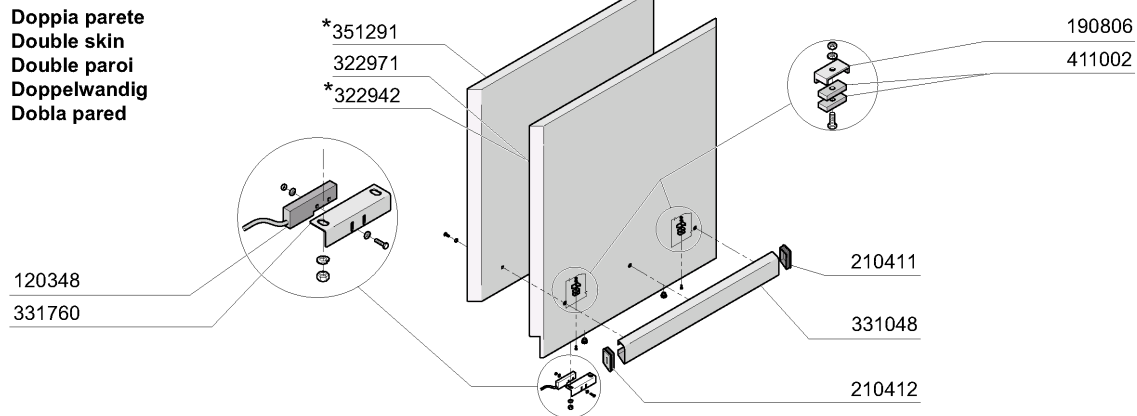
4 - prewash tank 900mm

CODE	DESCRIPTION
120131	SOLEN. L182Q31-ZB10A 1/2"24V
120910	ELECTRONIC TOUCH PAD CONTROLS
150034	CONNEC.F.SOLEN.VALVE 122.09.N
160113	TUBE IN POL. RETIC. 12 EST
160201	ELBOW F.TANK INLET MOPLEN
161308	AIR CHAMBER C95-155
161312	HOSE FOR PRESSURE SWITCH C95-1
180102	DRAIN PIPE NUT 1"1/2 F45-55
200410	DRAIN OUTL.WASH.1 1/2"65X47X2
200412	GASKET DRAIN 11/2" 45X33X3
200469	STAND PIPE O RING 45X35,5X7
200927	GASKET FOR AIR TRAP
250806	TANK FILL HOSE CLAMP - AC/ACR
270101	HEXAGON LOCK NUT 1/2"
270104	LOCK NUT 1" 1/2
270107	BRASS LOCK NUT 3/8" FL803
270121	NUT FOR AIR TRAP
270409	DRAIN OUTLET AC-ACR
290217	HOSE CLAMP ELBOW 12X3/8" TYPE
324002	OVERFLOW PIPE LEVER ACS
324039	FILTER GUIDE 900/1300 ACS
332092	STRAINER FOR PREWASH TANK ACS
333001	STRAINER 900 ACS
333002	STRAINER 900 ACS
380856	OVERFLOW PIPE FOR PREWASH TANK
440907	SIPHON 1"1/2
450137	COLLAR CONNECTION WITH BASE 31
450143	CLAMP D.39,7 X 37,7
460501	GASKET 24X17X2
630948	COIL Z610A 24V 50/60-L180V01

5 - corner hood



Doppia parete
Double skin
Double paroi
Doppelwandig
Dobla pared

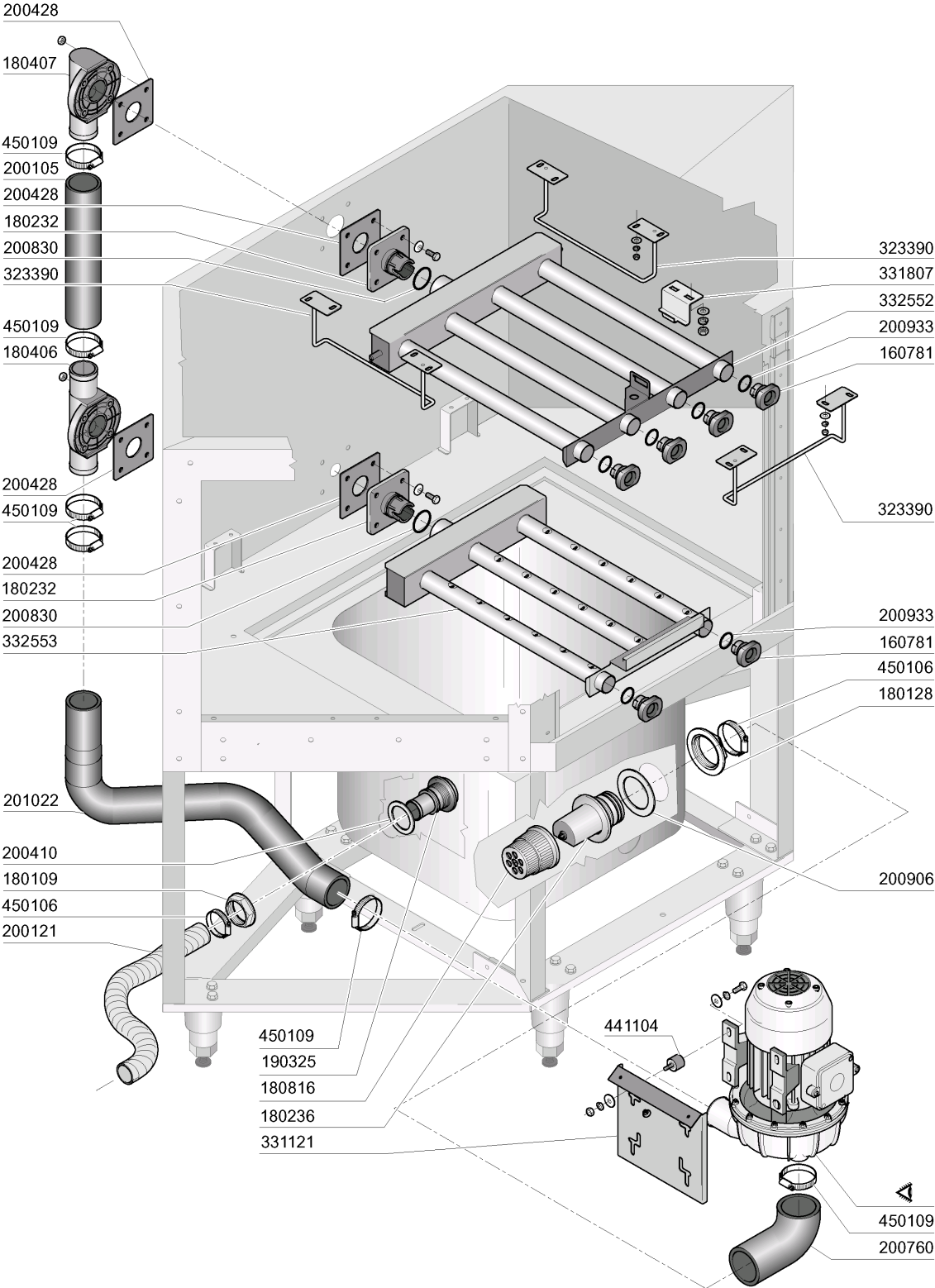


M.G. 11/06

5 - corner hood

CODE	DESCRIPTION
120348	MAGN.SWITCH (N.O.)
161153	BACK COVER CHANNEL 300X1240 (S
170313	FRICTION PAD
170325	INT. GUIDE SUPPORT SE CORNER
170326	EXT.GUIDE SUPPORT SE CORNER
180630	DOUBLE SKINNED DOOR RUNNER -AC
190806	MAGNET HOUSING
190906	CURTAIN IN/OUT 620X480
191017	ANTIFRICT.COVER F.EXT.GUIDE CO
200478	SELF-ADHESIVE GASKET 65X4
210404	BLACK RUBBER FOOT S90 NE SE
210411	RIGHT PLUG FOR ACR/AC HANDLE
210412	LEFT PLUG FOR ACR/AC HANDLE
260120	SCREW TE 10X20
260406	NUT 8MA
260407	STAINLESS STEEL NUTS D10 UNI 5
260513	GROWER WASHER D8
260514	GROWER WASHER D.10
261005	SCREW F. TEE UP.WASH F2-B41
321024	SUPPORT
321752	GUIDE
321753	GUIDE
321754	GUIDE
321755	GUIDE
321756	GUIDE
322474	PAWL BAR GUIDE WASH AC
322942	CORNER DOOR
322971	CORNER DOOR
323302	BRACKET
331048	600MM DOOR HANDLE
331116	DOOR SECURITY HOOK
331755	HOOK FOR DOOR SUPPORT
331760	BRACKET
340410	PAWL PINS (WASH) STAINLESS STE
340442	SHAFT D.8 FOR CURTAIN
341016	BRAKET FOR DOOR SECURITY HOOK
341235	PIVOT PIN SE
350335	PANEL
350336	PANEL
350337	BACK PANEL
350352	BACK PANEL 900 ACR
350358	BACK PANEL
351291	DOOR PANEL
351292	FRONT PANEL ACR
411002	PERMANENT MAGNET 24X12
440108	WHEEL F.CENTRAL SLIDING
451004	STAINL.ST COTTER PIN 2,5X30
500252	PAWLS FOR WASHING /ACR CORNER
500257	PAWL FOR CORNER VERS.MACHINE
510302	GUIDE FOR WHEEL SE
620222	COMPLETE ALUMINIUM LEGS

6 - corner prewash column

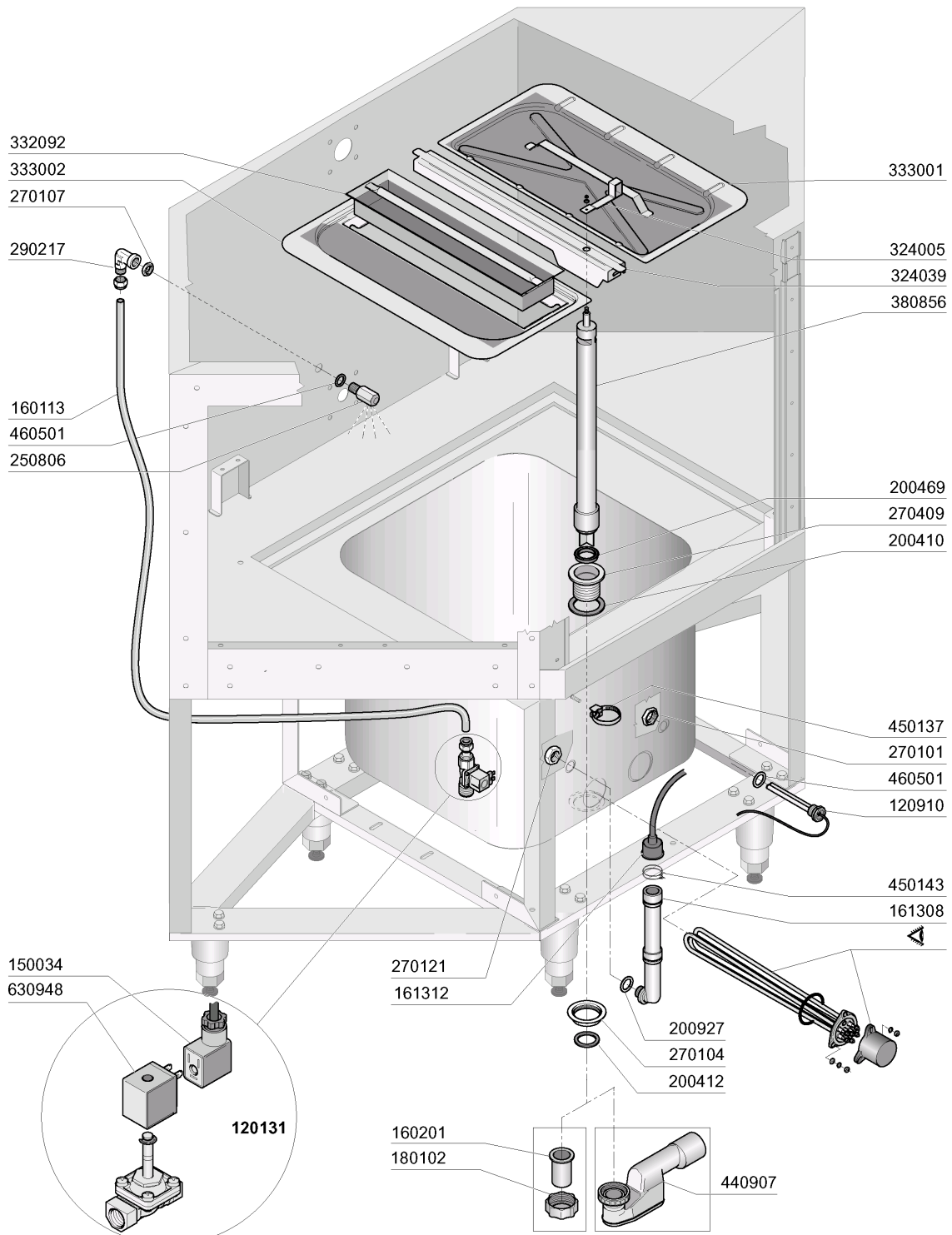


M.G. 01/08

6 - corner prewash column

CODE	DESCRIPTION
160781	PLUG FOR COLLECTOR NEW AC
180109	LOCK NUT 1 1/2"
180128	RING NUT 65,4 C140 C85
180232	WASH ARM FLANGE SNL
180236	PUMP SUCTION FOR AC-ACR-C155
180406	T-CONNECTOR F. WASHING S90-SNL
180407	ELBOW S90 S N L
180816	STRAINER OF INLET PUMP AC-ACR
190325	OVERFLOW CONNECTOR
200105	RUBBER HOSE 50X60
200121	RUBBER HOSE 45X55
200410	DRAIN OUTL.WASH.1 1/2"65X47X2
200428	GASKET 100X100X3 NEOTEN
200760	SUCTION HOSE FOR ACR
200830	O-RING 37,3X44,5X3,6
200906	GASKET D.92X66X2
200933	OR 24/32/4 FOR PLUG COLLECTOR
201022	OUTLET HOSE AC91-AC101
323390	GUIDE
331121	FIXING PLATE FOR PUMP ACR
331807	BRACKET
332552	UPPER 900 WASH ARM ACRS
332553	LOWER 900 WASH ARM ACRS
441104	VIBRATION-DAMPING FEET FOR ACR
450106	CLAMP FE ZN 32-44 H=12,2
450109	CLAMP 50-65

7 - corner prewash tank

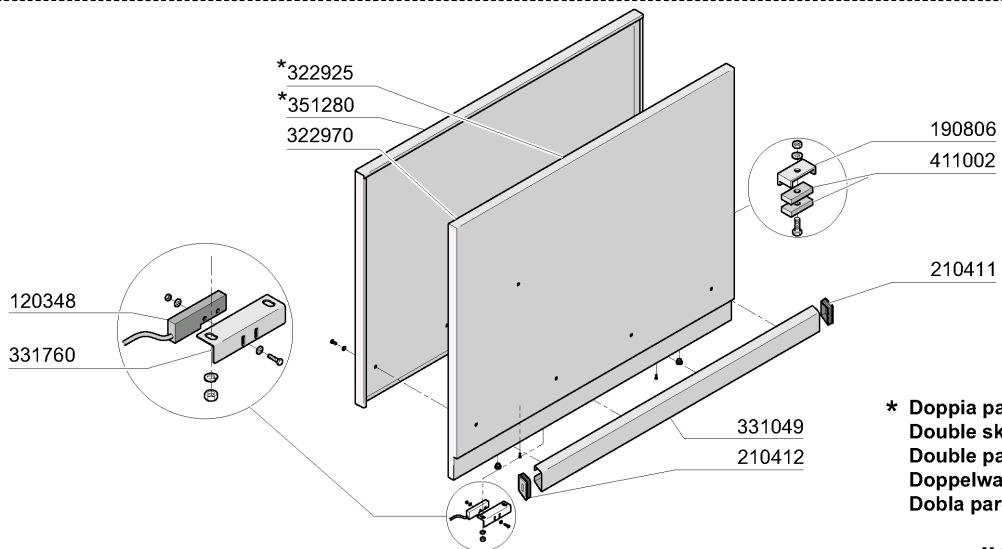
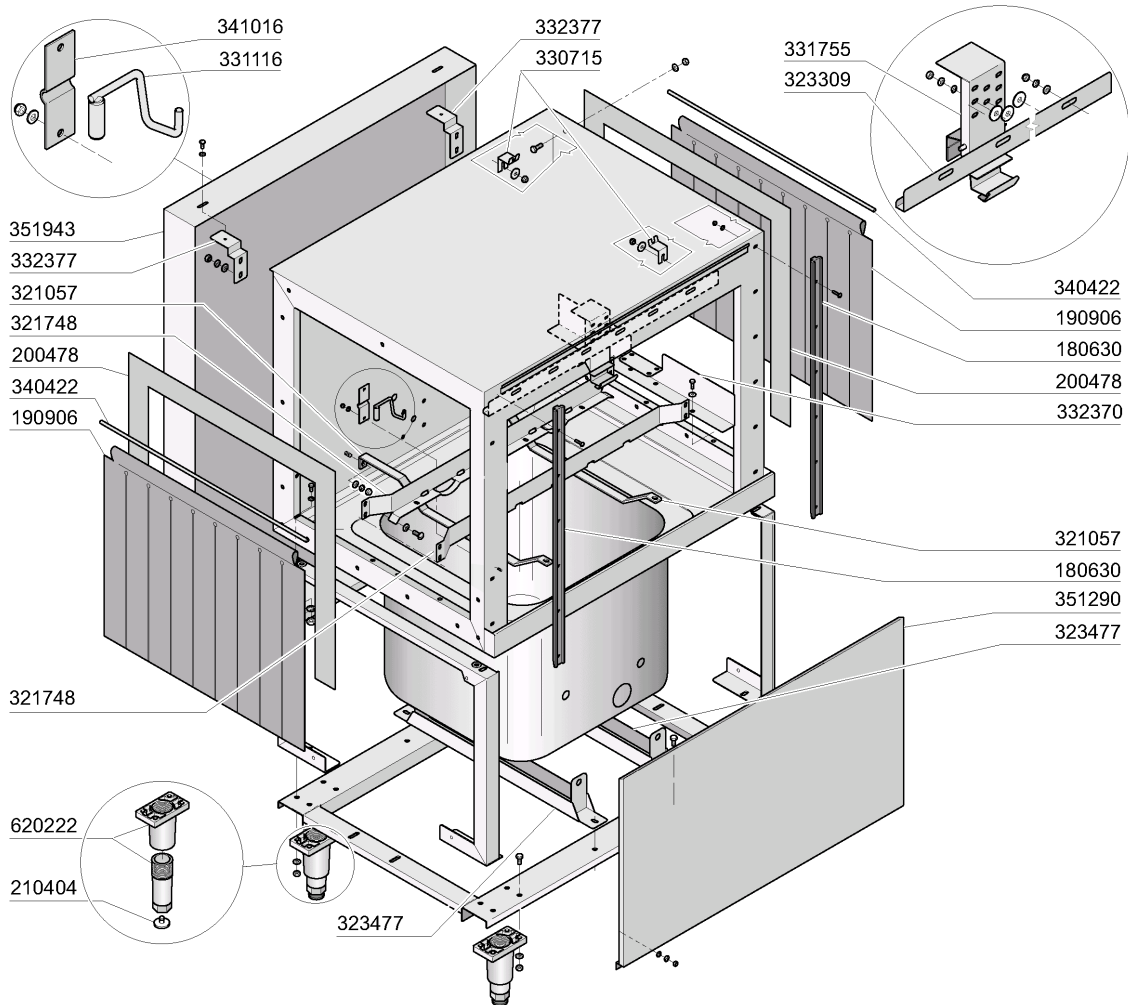


M.G. 01/08

7 - corner prewash tank

CODE	DESCRIPTION
120131	SOLE. L182Q31-ZB10A 1/2"24V
120910	ELECTRONIC TOUCH PAD CONTROLS
150034	CONNEC.F.SOLEN.VALVE 122.09.N
160113	TUBE IN POL. RETIC. 12 EST
160201	ELBOW F.TANK INLET MOPLEN
161308	AIR CHAMBER C95-155
161312	HOSE FOR PRESSURE SWITCH C95-1
180102	DRAIN PIPE NUT 1"1/2 F45-55
200410	DRAIN OUTL.WASH.1 1/2"65X47X2
200412	GASKET DRAIN 11/2" 45X33X3
200469	STAND PIPE O RING 45X35,5X7
200927	GASKET FOR AIR TRAP
250806	TANK FILL HOSE CLAMP - AC/ACR
270101	HEXAGON LOCK NUT 1/2"
270104	LOCK NUT 1" 1/2
270107	BRASS LOCK NUT 3/8" FL803
270121	NUT FOR AIR TRAP
270409	DRAIN OUTLET AC-ACR
290217	HOSE CLAMP ELBOW 12X3/8" TYPE
324005	OVERFLOW PIPE LEVER ACRS
324039	FILTER GUIDE 900/1300 ACS
332092	STRAINER FOR PREWASH TANK ACS
333001	STRAINER 900 ACS
333002	STRAINER 900 ACS
380856	OVERFLOW PIPE FOR PREWASH TANK
440907	SIPHON 1"1/2
450137	COLLAR CONNECTION WITH BASE 31
450143	CLAMP D.39,7 X 37,7
460501	GASKET 24X17X2
630948	COIL Z610A 24V 50/60-L180V01

8 - wash hood 900mm

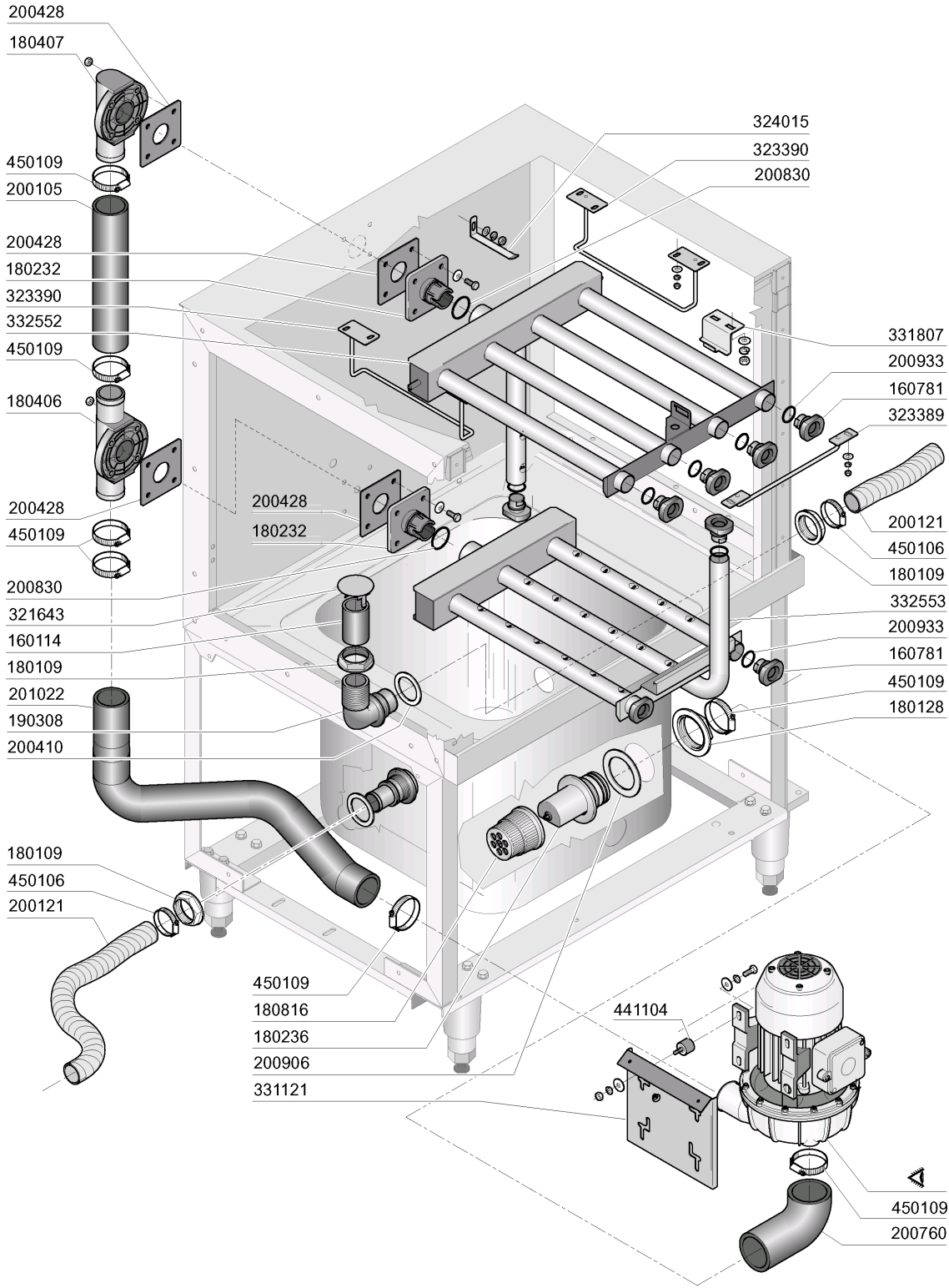


M.G. 10/06

8 - wash hood 900mm

CODE	DESCRIPTION
120348	MAGN.SWITCH (N.O.)
180630	DOUBLE SKINNED DOOR RUNNER -AC
190806	MAGNET HOUSING
190906	CURTAIN IN/OUT 620X480
200478	SELF-ADHESIVE GASKET 65X4
210404	BLACK RUBBER FOOT S90 NE SE
210411	RIGHT PLUG FOR ACR/AC HANDLE
210412	LEFT PLUG FOR ACR/AC HANDLE
321057	LOWER WASH ARM SUPPORT
321748	GUIDE
322925	DOOR 900 ACR
322970	DOOR 900MM ACR NEW
323309	PARASPRUZZI PER CAPOT 900
323477	TRAVERSA SOST.VASCHE AC/ACR
330715	UPPER BRACKET CURTAIN SNL-SE
331049	900MM DOOR HANDLE ACR
331116	DOOR SECURITY HOOK
331755	HOOK FOR DOOR SUPPORT
331760	BRACKET
332370	PARASPRUZZI E SUPP.AC/ACR 2001
332377	SQUADR.AGG.PANN.POST.AC/R/2001
340422	SHAFT FOR CURTAIN AC-ACR
341016	BRACKET FOR DOOR SECURITY HOOK
351280	INSUL.PANEL FOR DOOR 900 ACR
351290	FRONT PANEL ACR
351943	BACK PANEL 900
411002	PERMANENT MAGNET 24X12
620222	COMPLETE ALUMINIUM LEGS

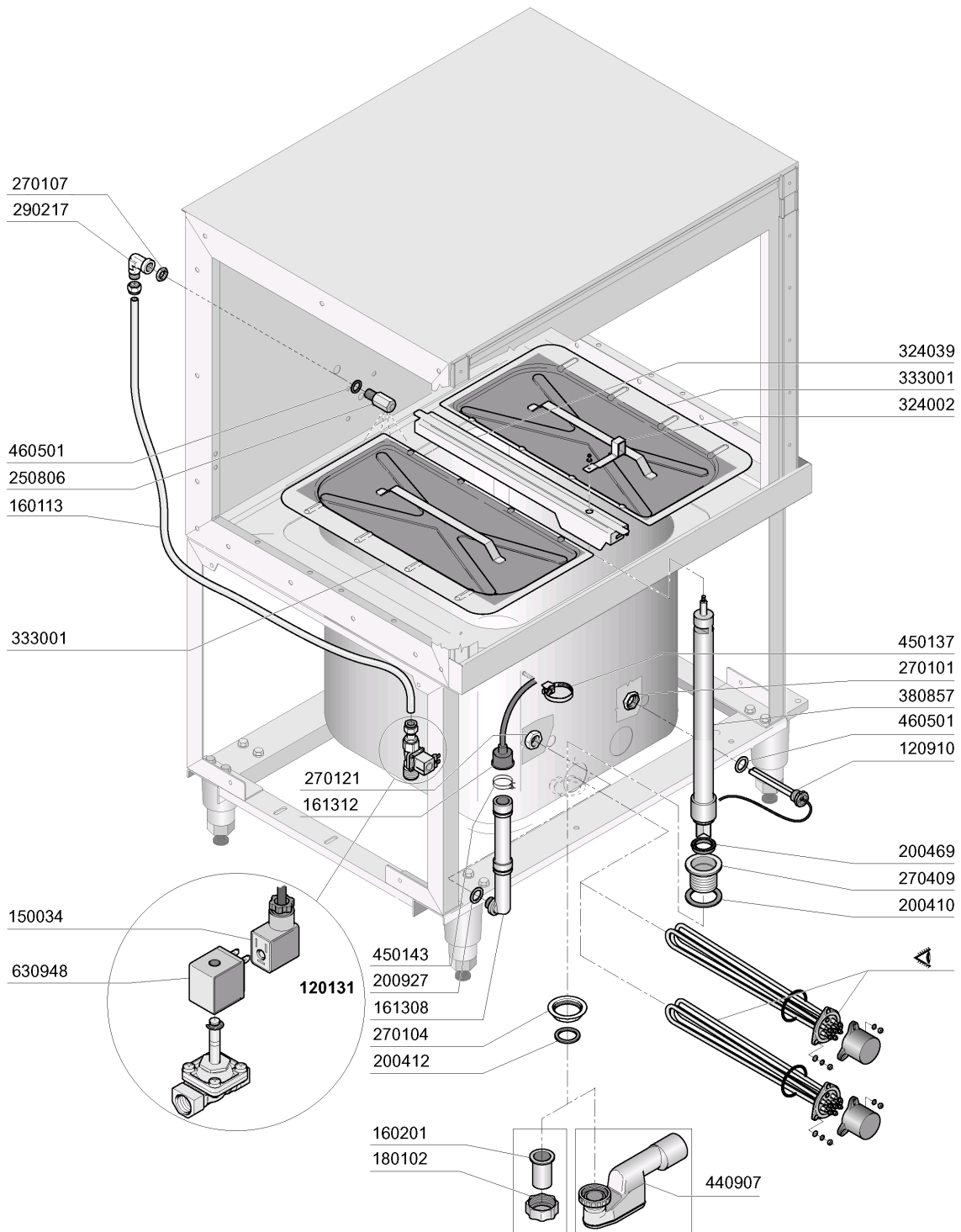
9 - wash column 600mm



M.G. 01/08

9 - wash column 600mm

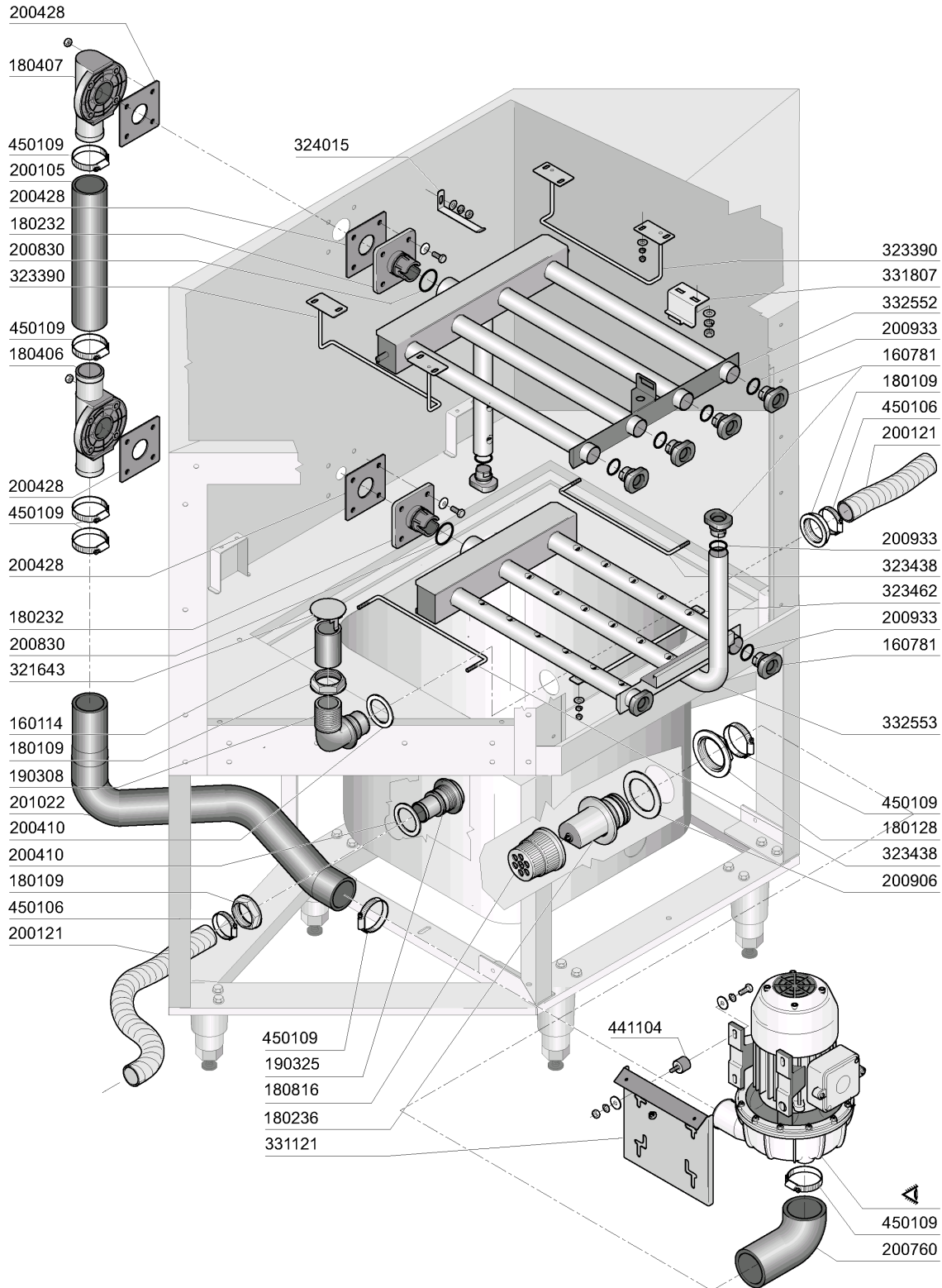
CODE	DESCRIPTION
160114	ADJUST.OVERFLOW-PIPE/TANKS S3Ø
160781	PLUG FOR COLLECTOR NEW AC
180109	LOCK NUT 1 1/2"
180128	RING NUT 65,4 C140 C85
180232	WASH ARM FLANGE SNL
180236	PUMP SUCTION FOR AC-ACR-C155
180406	T-CONNECTOR F. WASHING S90-SNL
180407	ELBOW S90 S N L
180816	STRAINER OF INLET PUMP AC-ACR
190308	OVERFLOW CONNECTOR
200105	RUBBER HOSE 50X60
200121	RUBBER HOSE 45X55
200410	DRAIN OUTL.WASH.1 1/2"65X47X2
200428	GASKET 100X100X3 NEOTEN
200760	SUCTION HOSE FOR ACR
200830	O-RING 37,3X44,5X3,6
200906	GASKET D.92X66X2
200933	OR 24/32/4 FOR PLUG COLLECTOR
201022	OUTLET HOSE AC91-AC101
321643	SUPPORT
323389	BRACKET
323390	GUIDE
324015	SQUADRETTA SOST.COLL.SUP. ACS
331121	FIXING PLATE FOR PUMP ACR
331807	BRACKET
332552	UPPER 900 WASH ARM ACRS
332553	LOWER 900 WASH ARM ACRS
441104	VIBRATION-DAMPING FEET FOR ACR
450106	CLAMP FE ZN 32-44 H=12,2
450109	CLAMP 50-65



10 - wash tank 900mm

CODE	DESCRIPTION
120131	SOLE. L182Q31-ZB10A 1/2"24V
120910	ELECTRONIC TOUCH PAD CONTROLS
150034	CONNec.F.SOLEN.VALVE 122.09.N
160113	TUBE IN POL. RETIC. 12 EST
160201	ELBOW F.TANK INLET MOPLen
161308	AIR CHAMBER C95-155
161312	HOSE FOR PRESSURE SWITCH C95-1
180102	DRAIN PIPE NUT 1"1/2 F45-55
200410	DRAIN OUTL.WASH.1 1/2"65X47X2
200412	GASKET DRAIN 11/2" 45X33X3
200469	STAND PIPE O RING 45X35,5X7
200927	GASKET FOR AIR TRAP
250806	TANK FILL HOSE CLAMP - AC/ACR
270101	HEXAGON LOCK NUT 1/2"
270104	LOCK NUT 1" 1/2
270107	BRASS LOCK NUT 3/8" FL803
270121	NUT FOR AIR TRAP
270409	DRAIN OUTLET AC-ACR
290217	HOSE CLAMP ELBOW 12X3/8" TYPE
324002	OVERFLOW PIPE LEVER ACS
324039	FILTER GUIDE 900/1300 ACS
333001	STRAINER 900 ACS
380857	OVERFLOW PIPE FOR WASH TANK
440907	SIPHON 1"1/2
450137	COLLAR CONNECTION WITH BASE 31
450143	CLAMP D.39,7 X 37,7
460501	GASKET 24X17X2
630948	COIL Z610A 24V 50/60-L180V01

11 - corner wash column

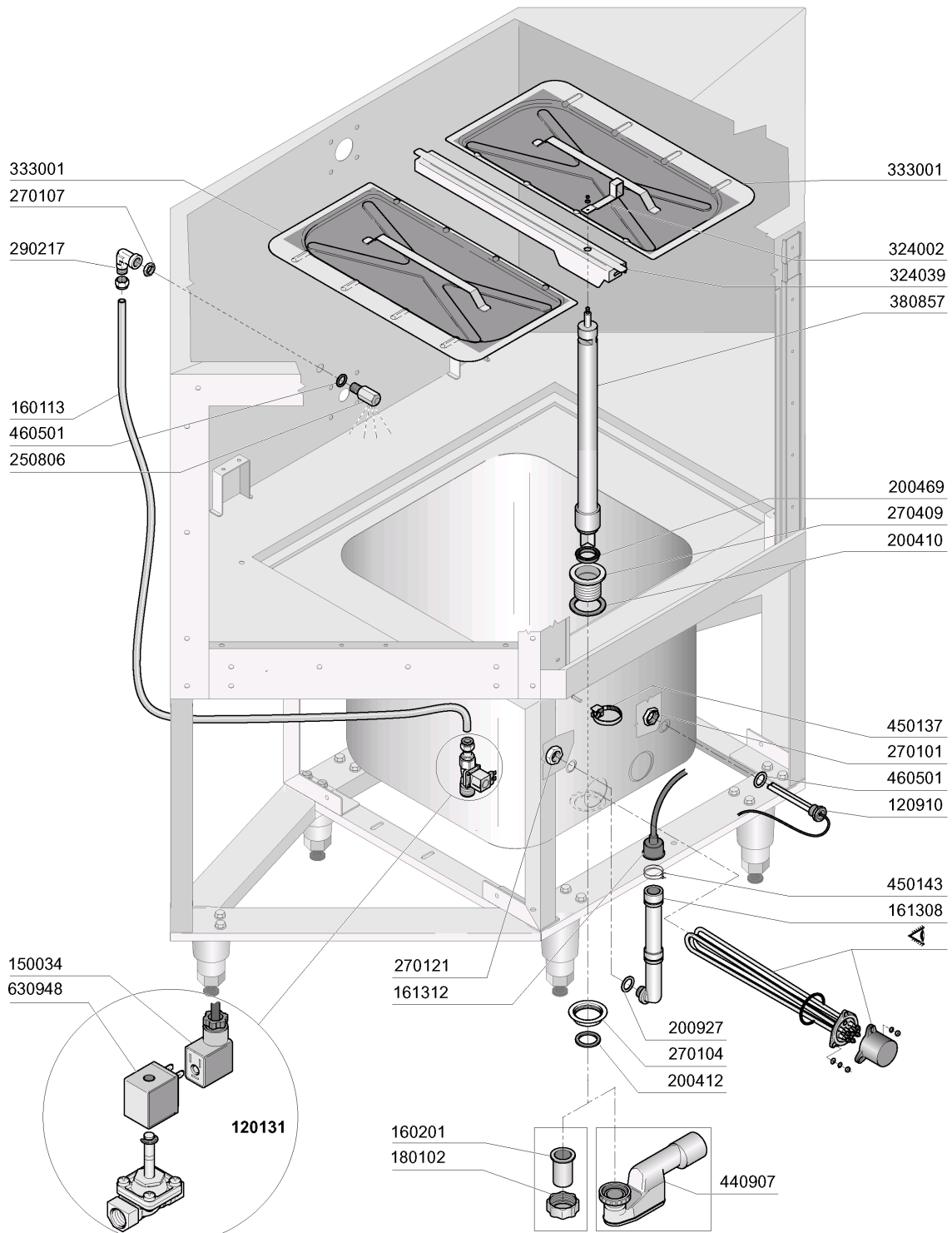


M.G. 11/06

11 - corner wash column

CODE	DESCRIPTION
160114	ADJUST.OVERFLOW-PIPE/TANKS S3Ø
160781	PLUG FOR COLLECTOR NEW AC
180109	LOCK NUT 1 1/2"
180128	RING NUT 65,4 C140 C85
180232	WASH ARM FLANGE SNL
180236	PUMP SUCTION FOR AC-ACR-C155
180406	T-CONNECTOR F. WASHING S90-SNL
180407	ELBOW S90 S N L
180816	STRAINER OF INLET PUMP AC-ACR
190308	OVERFLOW CONNECTOR
190325	OVERFLOW CONNECTOR
200105	RUBBER HOSE 50X60
200121	RUBBER HOSE 45X55
200410	DRAIN OUTL.WASH.1 1/2"65X47X2
200428	GASKET 100X100X3 NEOTEN
200760	SUCTION HOSE FOR ACR
200830	O-RING 37,3X44,5X3,6
200906	GASKET D.92X66X2
200933	OR 24/32/4 FOR PLUG COLLECTOR
201022	OUTLET HOSE AC91-AC101
321643	SUPPORT
323390	GUIDE
323438	GUIDE
323462	SUPPORT
324015	SQUADRETTA SOST.COLL.SUP. ACS
331121	FIXING PLATE FOR PUMP ACR
331807	BRACKET
332552	UPPER 900 WASH ARM ACRS
332553	LOWER 900 WASH ARM ACRS
441104	VIBRATION-DAMPING FEET FOR ACR
450106	CLAMP FE ZN 32-44 H=12,2
450109	CLAMP 50-65

12 - corner wash tank

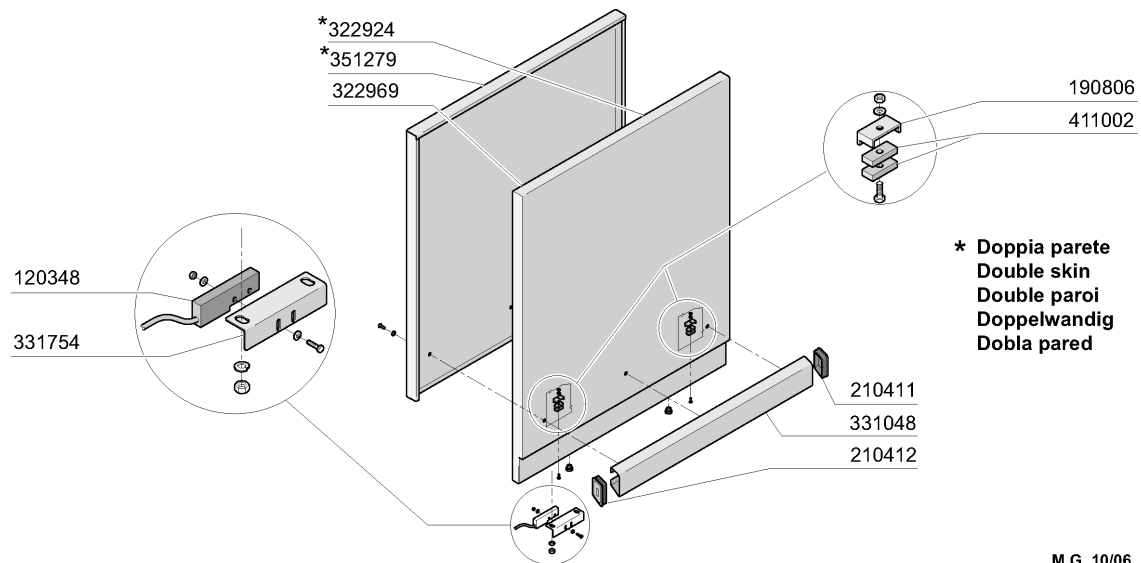
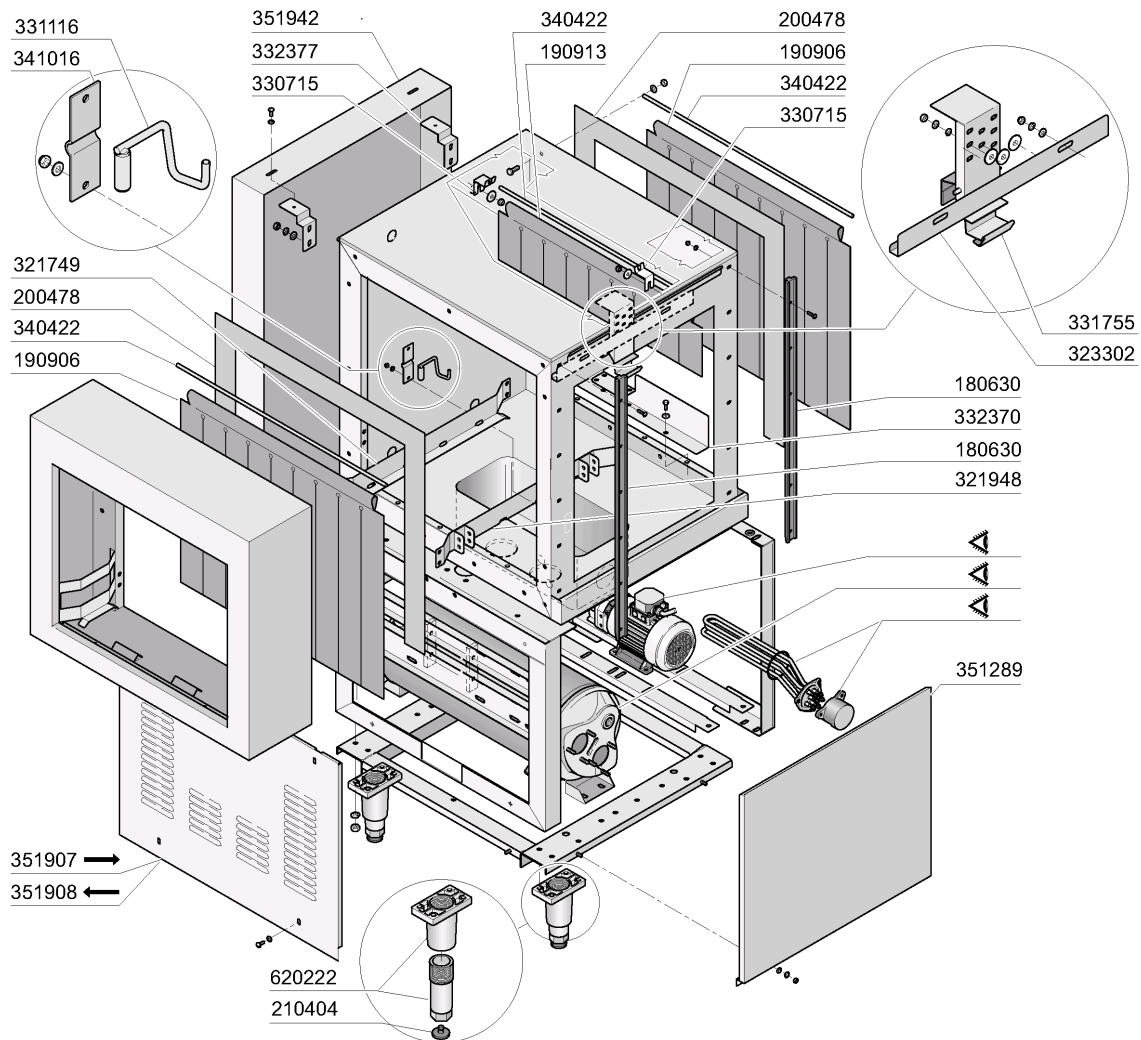


M.G. 01/08

12 - corner wash tank

CODE	DESCRIPTION
120131	SOLE. L182Q31-ZB10A 1/2"24V
120910	ELECTRONIC TOUCH PAD CONTROLS
150034	CONNEC.F.SOLEN.VALVE 122.09.N
160113	TUBE IN POL. RETIC. 12 EST
160201	ELBOW F.TANK INLET MOPLN
161308	AIR CHAMBER C95-155
161312	HOSE FOR PRESSURE SWITCH C95-1
180102	DRAIN PIPE NUT 1"1/2 F45-55
200410	DRAIN OUTL.WASH.1 1/2"65X47X2
200412	GASKET DRAIN 11/2" 45X33X3
200469	STAND PIPE O RING 45X35,5X7
200927	GASKET FOR AIR TRAP
250806	TANK FILL HOSE CLAMP - AC/ACR
270101	HEXAGON LOCK NUT 1/2"
270104	LOCK NUT 1" 1/2
270107	BRASS LOCK NUT 3/8" FL803
270121	NUT FOR AIR TRAP
270409	DRAIN OUTLET AC-ACR
290217	HOSE CLAMP ELBOW 12X3/8" TYPE
324002	OVERFLOW PIPE LEVER ACS
324039	FILTER GUIDE 900/1300 ACS
333001	STRAINER 900 ACS
380857	OVERFLOW PIPE FOR WASH TANK
440907	SIPHON 1"1/2
450137	COLLAR CONNECTION WITH BASE 31
450143	CLAMP D.39,7 X 37,7
460501	GASKET 24X17X2
630948	COIL Z610A 24V 50/60-L180V01

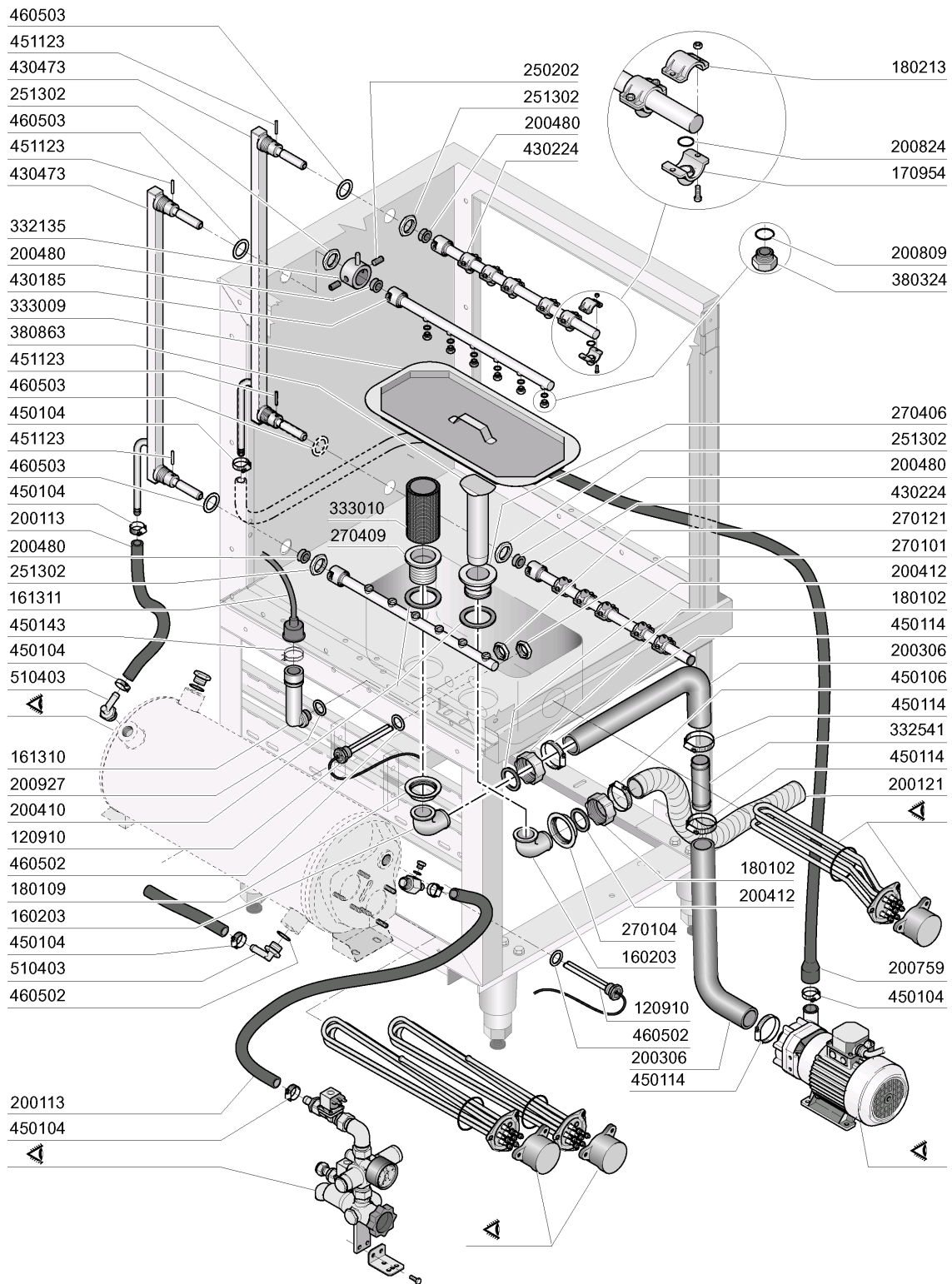
13 - ecorinse hood



M.G. 10/06

CODE	DESCRIPTION
120348	MAGN.SWITCH (N.O.)
180630	DOUBLE SKINNED DOOR RUNNER -AC
190806	MAGNET HOUSING
190906	CURTAIN IN/OUT 620X480
190913	CURTAIN FOR ECORINSE SE-620X27
200478	SELF-ADHESIVE GASKET 65X4
210404	BLACK RUBBER FOOT S90 NE SE
210411	RIGHT PLUG FOR ACR/AC HANDLE
210412	LEFT PLUG FOR ACR/AC HANDLE
321749	GUIDE
321948	GUIDE
322924	DOOR 600 ACR
322969	DOOR 600 ACR NEW
323302	BRACKET
330715	UPPER BRACKET CURTAIN SNL-SE
331048	600MM DOOR HANDLE
331116	DOOR SECURITY HOOK
331754	DOOR MICRO SWITCH BRACKET FOR
331755	HOOK FOR DOOR SUPPORT
332370	PARASPRUZZI E SUPP.AC/ACR 2001
332377	SQUADR.AGG.PANN.POST.AC/R/2001
340422	SHAFT FOR CURTAIN AC-ACR
341016	BRACKET FOR DOOR SECURITY HOOK
351279	INSUL.PANEL FOR DOOR 600 ACR
351289	BACK PANEL ACR
351907	PANN.LAT.LE SX AC COIBENTATE
351908	PANN.LAT.LE DX AC COIBENTATE
351942	BACK PANEL 600
411002	PERMANENT MAGNET 24X12
620222	COMPLETE ALUMINIUM LEGS

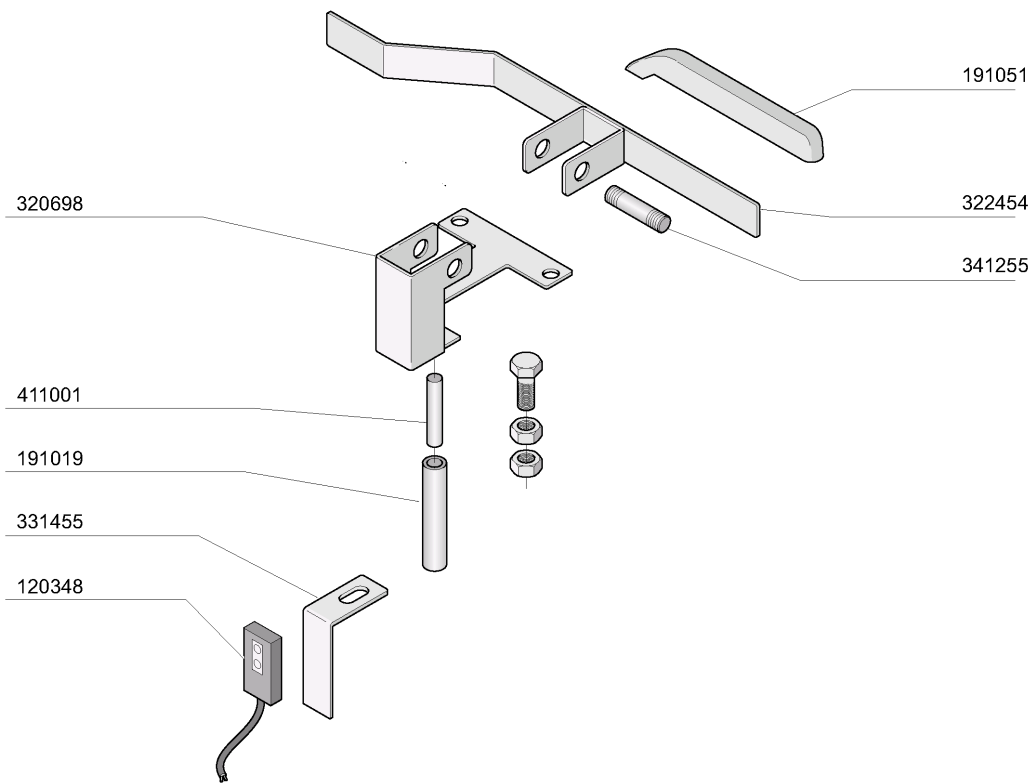
14 - ecorinse column-tank



M.G. 01/08

14 - ecorinse column-tank

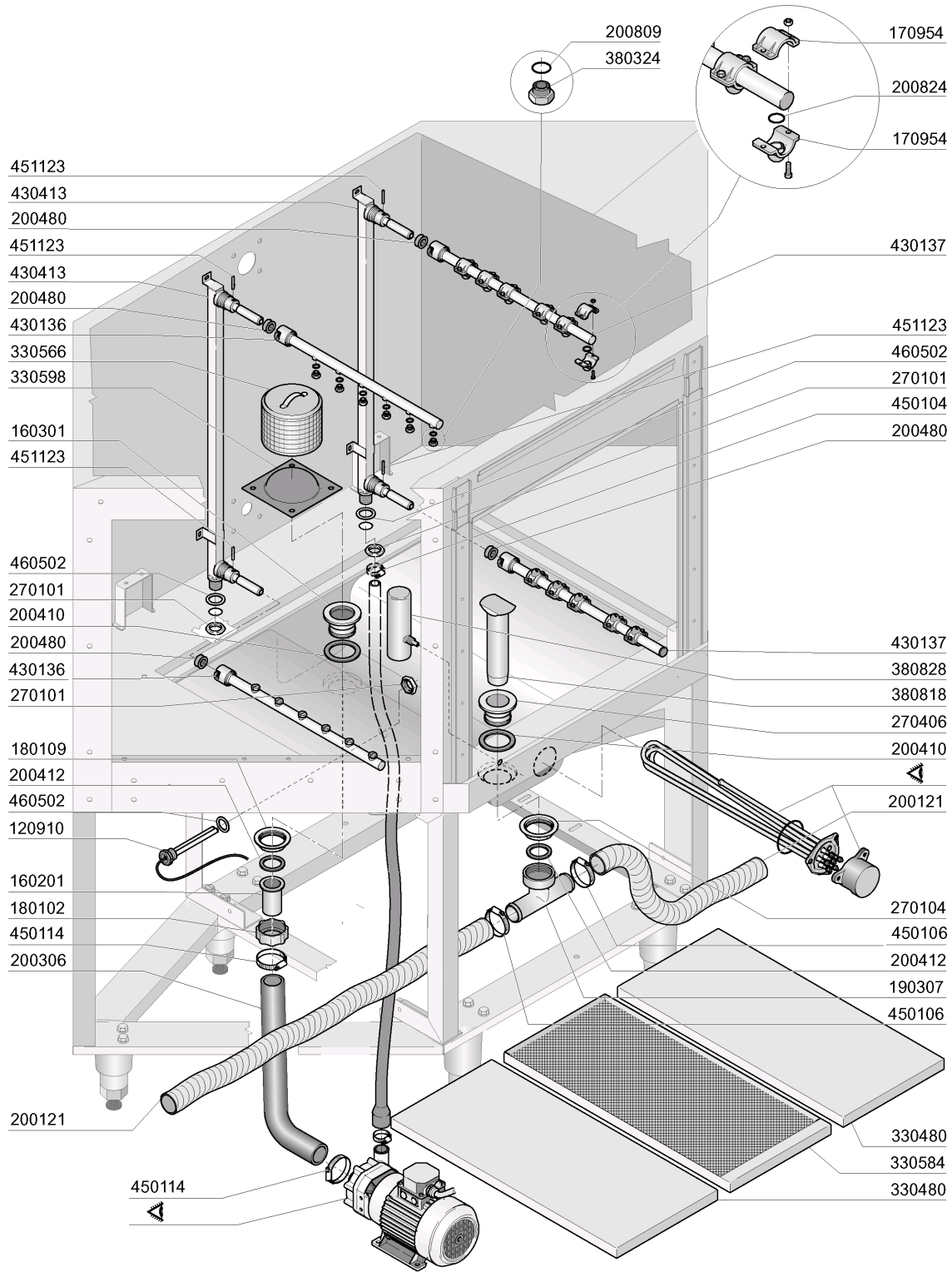
CODE	DESCRIPTION
120910	ELECTRONIC TOUCH PAD CONTROLS
160203	ELBOW 1"1/2 N-S-F-C /DRAIN
161310	AIR CHAMBER FOR GLASSWASHERS B
161311	HOSE FOR AIR CHAMBER BC-BR-AC9
170954	JET FOR ECORINSE ARM
180102	DRAIN PIPE NUT 1"1/2 F45-55
180109	LOCK NUT 1 1/2"
180213	FLANGE F.JET LOCKING F2-C34
200113	RUBBER HOSE 12 X 22
200121	RUBBER HOSE 45X55
200306	INLET HOSE 42X52 ECORINSE-DRAI
200410	DRAIN OUTL.WASH.1 1/2"65X47X2
200412	GASKET DRAIN 11/2" 45X33X3
200480	GASKET F. RINSE CONNECT.
200759	DELIVERY HOSE FOR ECORINSE AC-
200809	OR GASKET 1,78X8,73X12,29
200824	O-RING 1,78X12,42X15,98
200927	GASKET FOR AIR TRAP
250202	STAINL.ST GRUB 5X8 UNI 5927
251302	S/S LOCK NUT 3/4" AC-ACR
270101	HEXAGON LOCK NUT 1/2"
270104	LOCK NUT 1" 1/2
270121	NUT FOR AIR TRAP
270406	ECORINSE DRAIN OUTLET
270409	DRAIN OUTLET AC-ACR
332135	RINSE ARM BUSH
332541	HOSE
333009	ECORINSE FILTER ACRS
333010	SUCTION STRAINER ECORINSE ACRS
380324	RINSE JETS 52,5 80Ø OV1/8"
380863	OVERFLOW PIPE ECPRINSE ACRS
430185	RINSE ARM
430224	PRERINSE ARM
430473	RINSE COLUMN ACRS
450104	CLAMP FE ZN H=12,5 15-24
450106	CLAMP FE ZN 32-44 H=12,2
450114	CLAMP FE ZN.22-32 H=12,2
450143	CLAMP D.39,7 X 37,7
451123	ELASTIC PIN 4X16
460502	GASKET 30X21X2
460503	SEALING WASHER 38X27X2(3/4)
510403	CONNECT.HOSE 90Ø1/2"X12



15 - economizer

CODE	DESCRIPTION
120348	MAGN.SWITCH (N.O.)
191019	MAGNET HOUSING S90 MOPL.-S.N.L
191051	SLIDING PAD SE SNL ECONOMIZER
320698	LEVER FOR ECONOMIZER SE SNL
322454	RACK GUIDE FOR AC95
331455	BRACKET FOR RINSE MICROSWITCH
341255	PIN FOR ECONOMIZER SE SNL
411001	PERMANENT MAGNET 8X40

16 - corner ecorinse assembly

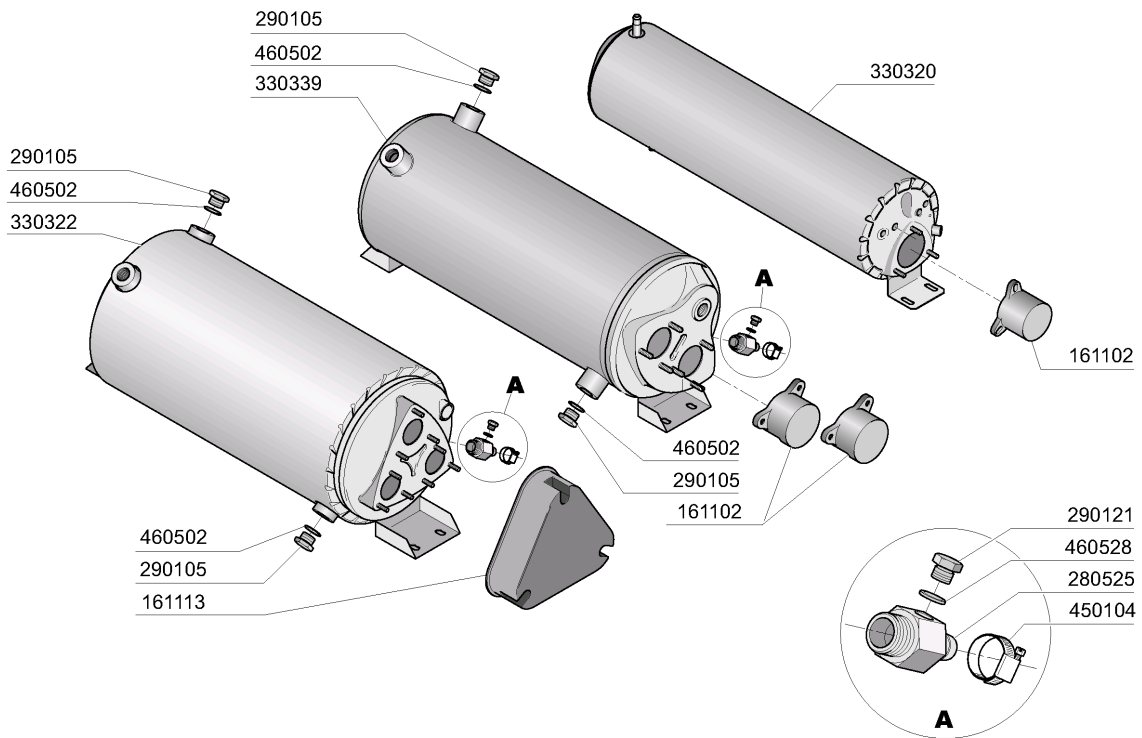
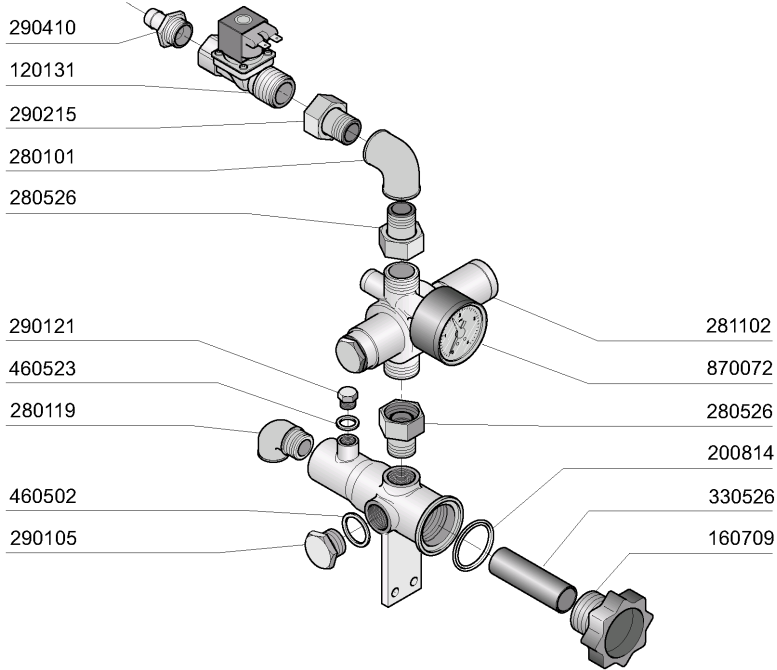


M.G. 01/08

16 - corner ecorinse assembly

CODE	DESCRIPTION
120910	ELECTRONIC TOUCH PAD CONTROLS
160201	ELBOW F.TANK INLET MOPLN
160301	DRAIN OUTLET 1"1/2 C-S-N
170954	JET FOR ECORINSE ARM
180102	DRAIN PIPE NUT 1"1/2 F45-55
180109	LOCK NUT 1 1/2"
190307	SPECIAL TEE GRAU MPL.
200121	RUBBER HOSE 45X55
200306	INLET HOSE 42X52 ECORINSE-DRAI
200410	DRAIN OUTL.WASH.1 1/2"65X47X2
200412	GASKET DRAIN 11/2" 45X33X3
200480	GASKET F. RINSE CONNECT.
200809	OR GASKET 1,78X8,73X12,29
200824	O-RING 1,78X12,42X15,98
270101	HEXAGON LOCK NUT 1/2"
270104	LOCK NUT 1" 1/2
270406	ECORINSE DRAIN OUTLET
330480	SIDE PANEL
330566	FILTER 110 FOR ECORINSE TANK
330584	WASH FILTER ACR
330598	ECORINSE FILTER
380324	RINSE JETS 52,5 80Ø OV1/8"
380818	OVERFLOW TUBE FOR ECORINSE SE
380828	ECORINSE AIR CHAMBER AC-ACR ST
430136	RINSE ARM S-SE-SE/1
430137	ECORINSE ARM SE-SE/1
430413	RINSE COLUMN SE-ACR
450104	CLAMP FE ZN H=12,5 15-24
450106	CLAMP FE ZN 32-44 H=12,2
450114	CLAMP FE ZN.22-32 H=12,2
451123	ELASTIC PIN 4X16
460502	GASKET 30X21X2

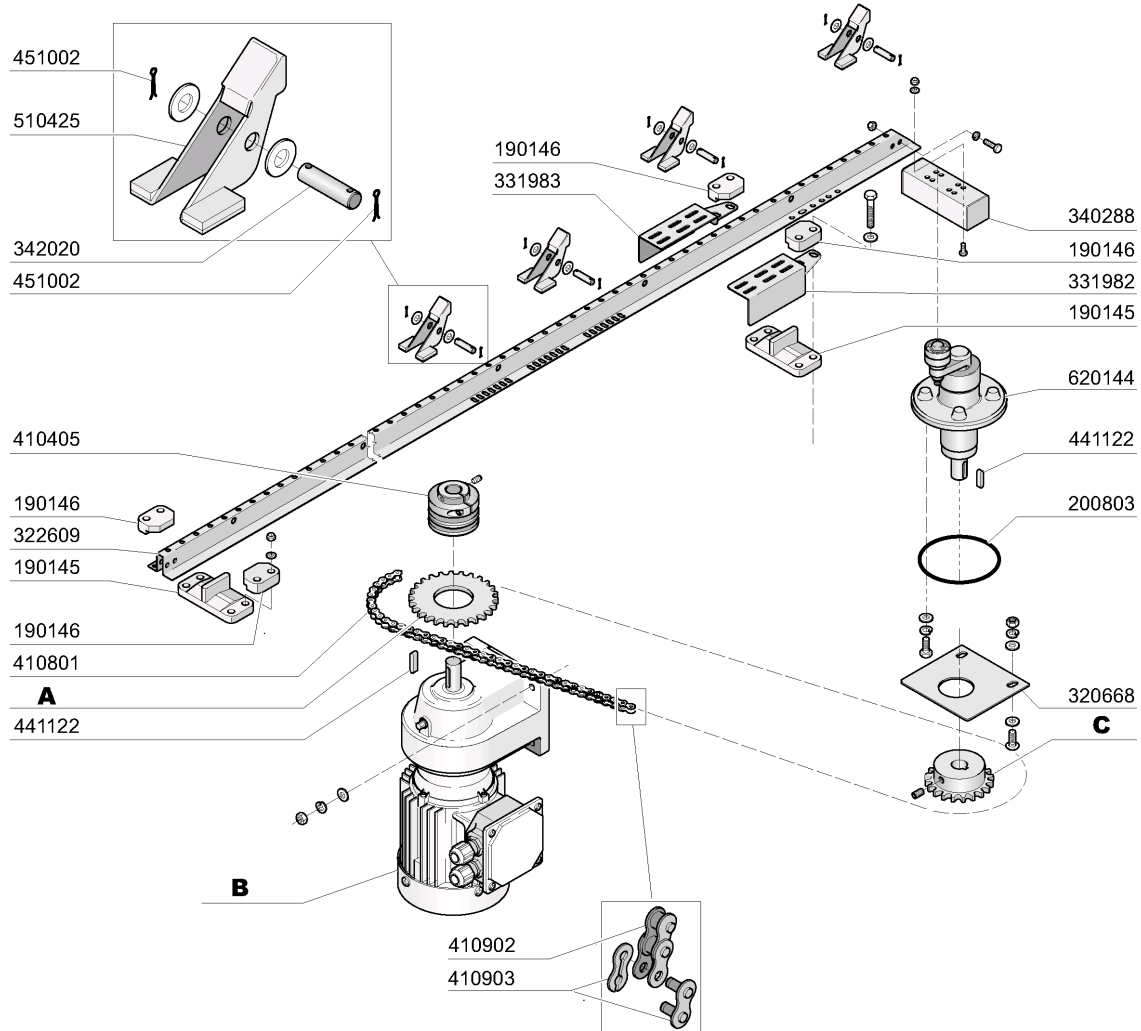
17 - solenoid valve and booster



M.G. 11/06

17 - solenoid valve and booster

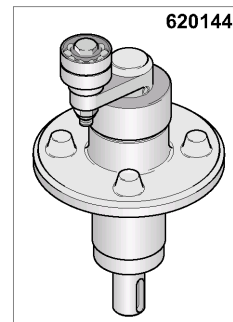
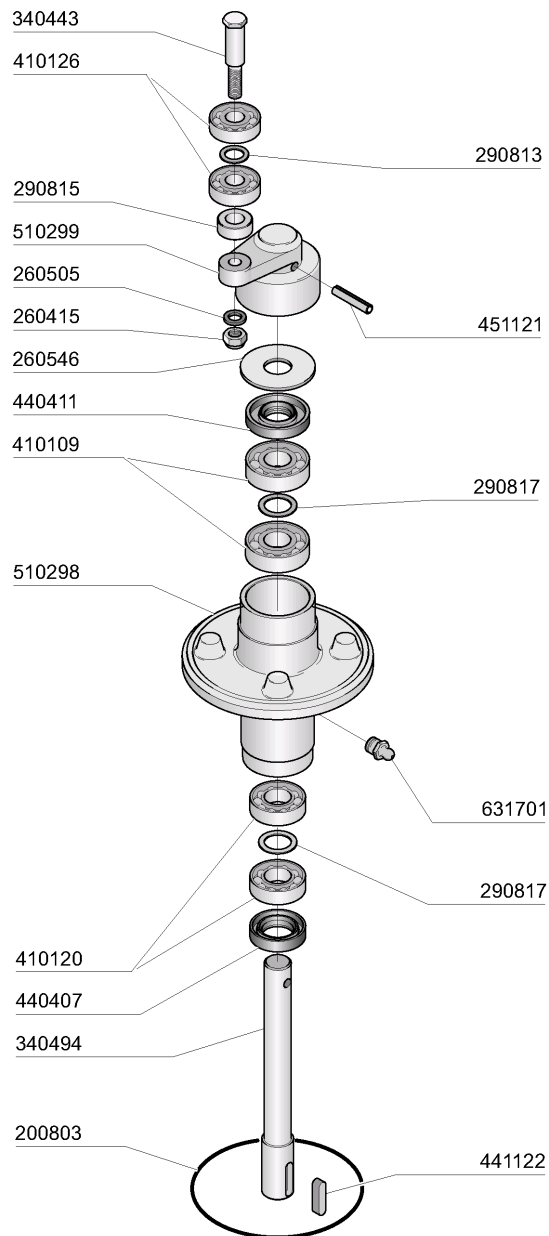
CODE	DESCRIPTION
120131	SOLEN. L182Q31-ZB10A 1/2"24V
160709	KNOB OF MANIFOLD F. SOLEN. VAL
161102	ELEMENT COVER MOPL.
161113	ELEMENT COVER BLACK
200814	O-RING 34,52X41,58X3,53
280101	CRANK F.F 1/2"
280119	ELL MF 3/4"
280525	NIPPLE
280526	CONNECTION 1/2-3/4"
281102	1/2" ADJ VALVE C/W GAUGE TYPE
290105	BRASS-TE-PLUG 1/2"
290121	BRASS PLUG 1/8"
290215	1/2"BSP M/F UNION BRASS
290410	NIPPLE 1/2"
330320	INSULATED BOILER D.1 164X650 S
330322	INSULATED BOILER D.230 N/S
330339	BOILER D.220X640 F.TWO HEAT.EL
330526	FILTERS 22X28 SOLENOID V.MANIF
450104	CLAMP FE ZN H=12,5 15-24
460502	GASKET 30X21X2
460523	GASKET 10X18X2
460528	GASKET 15X10X2 FOR RINSE NIPPE
870072	PRESSURE CAUGE 0-4 ATM



	A	B	C
ACRS 145	410301 - Z28 (50Hz)	100217 - (50Hz)	410242 - Z23 (50Hz)
	410301 - Z28 (60Hz)	100232 - (60Hz)	410243 - Z26 (60Hz)
ACRS 205	410301 - Z28 (50Hz)	100217 - (50Hz)	410240 - Z17 (50Hz)
	410301 - Z28 (60Hz)	100232 - (60Hz)	410239 - Z20 (60Hz)
ACRS 225	410307 - Z32 (50Hz)	100217 - (50Hz)	410240 - Z17 (50Hz)
	410307 - Z32 (60Hz)	100232 - (60Hz)	410239 - Z20 (60Hz)
ACRS 245	410307 - Z32 (50Hz)	100217 - (50Hz)	410227 - Z16 (50Hz)
	410307 - Z32 (60Hz)	100232 - (60Hz)	410288 - Z19 (60Hz)
ACRS 260	410307 - Z32 (50Hz)	100262 - (50Hz)	410231 - Z14 (50Hz)
	410307 - Z32 (60Hz)	100232 - (60Hz)	410240 - Z17 (60Hz)
ACRS 265	410307 - Z32 (50Hz)	100262 - (50Hz)	410279 - Z13 (50Hz)
	410307 - Z32 (60Hz)	100232 - (60Hz)	410227 - Z16 (60Hz)
ACRS 305	410307 - Z32 (50Hz)	100262 - (50Hz)	410273 - Z12 (50Hz)
	410307 - Z32 (60Hz)	100232 - (60Hz)	410231 - Z14 (60Hz)

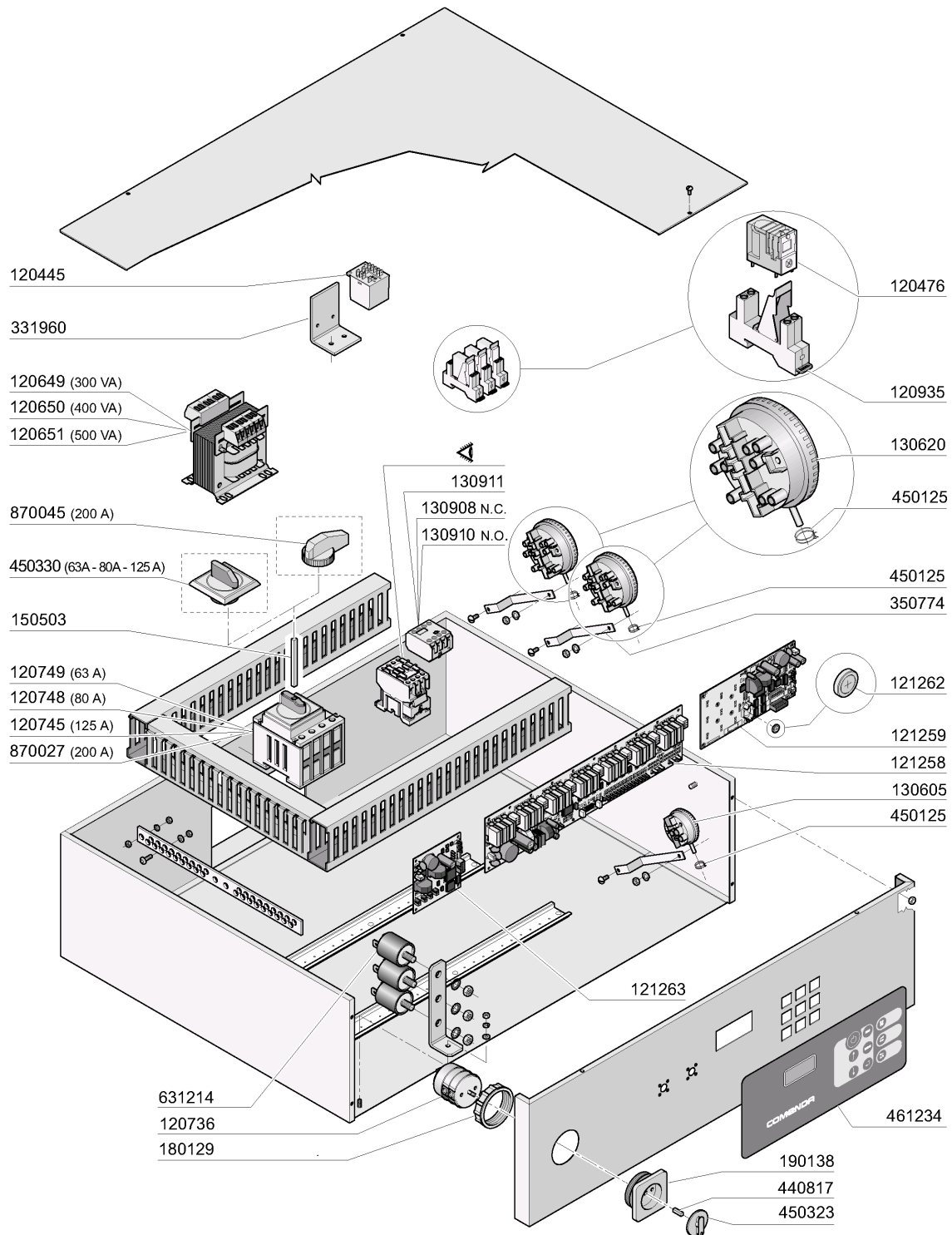
18 - Drive unit

CODE	DESCRIPTION
100217	DRIVE MOTOR KW 0,11/0,15 380V
100232	DRIVE MOTOR 0,11-0,15KW 380-60
100262	DRIVE MOTOR KW 0,18-0,3 380V
190145	SUPPORT F.PAWL BAR GUIDE AC
190146	CLAMPING PIECES AC
200803	OR GASKET 3,53X98,02X105,08
320668	PLATE
322609	PAWL BAR GUIDE
331982	RIGHT COVER
331983	LEFT COVER
340288	CHANNEL F.DRIVE BEARING S3Ø-SE
342020	PIN
410227	TURNED PINION Z16-1/2"-D.20
410231	TURNED PINION Z14 1/2"-D.20
410239	TURNED PINION Z20-1/2"-D.20
410240	TURNED PINION Z17-1/2"-D.20
410242	TURNED PINION Z23-1/2"-D.20
410243	TURNED PINION Z26-1/2"-D.20
410273	PINION Z12 -1/2-D.20
410279	PINION Z13-1/2"-D.20
410288	TURNED PINION Z19-1/2"-D.20
410301	CROWN DISCS 28T PITCH 1/2"
410307	CROWN DISCS 1/2" PITCH
410405	TORQUE LIMITER D.25 NTP SE/1
410801	DRIVE CHAIN 1/2" N-S
410902	FALSE CHAIN LINK 1/2"
410903	CHAIN JOINT 1/2"
441122	DRIVE SHAFT KEY 6X6X25 UNI 660
451002	COTTER PIN STAINL.ST. D2X12
510425	PAWL LOAD. AC/ACR
620144	DRIVE ASSEMBLY



19 - drive unit

CODE	DESCRIPTION
200803	OR GASKET 3,53X98,02X105,08
260415	STAINLESS STEEL SELF-LOCKING N
260505	STAINL.STEEL FLAT WASHER D8
260546	SLIDING WASHER STAINLESS STEEL
290813	PACKING PIECES BRASS S-F2
290815	DISTANCE PIECE S3Ø BRASS
290817	BRASS DISTANCE PIECE 24X14
340443	CRANK SHOULDER PIN
340494	DRIVE SHAFT S 3Ø
410109	BEARINGS 17X40X12 6203
410120	BALL BEARING 17X35X10
410126	BEARING 6201-2RS Z15
440407	SEAL MIM 20X35X7
440411	SEAL 17X40X7
441122	DRIVE SHAFT KEY 6X6X25 UNI 660
451121	ELAST.ROLL PINS 6X30
510298	DRIVE HOUSING S 3Ø
510299	NICKELPLATED BRASS DRIVE CRANK
620144	DRIVE ASSEMBLY
631701	GREASE NIPPLE 9003



M.G. 01/07

20 - Control Box

CODE	DESCRIPTION
120445	AUXILIARY RELAY S.B2/3 24V
120476	RELAY 16A 24V
120649	TRANSFORMER 300VA225-240-380-4
120650	TRANSFORMER 400VA225-240-380-4
120651	TRANSFORMER 500VA225-240-380-4
120736	4 POLE MAIN SWITCH 25A 500V
120745	MAIN SWITCH 4 POLE 125A
120748	MAINSWITCH 80A 4P
120749	MAINSWITCH 63A 4P
120935	SUPPORT
121258	MAIN PCB E3
121259	KEYBOARD PCB
121262	LITHIUM BATTERY 3V.CR2450N
121263	HPS BOARD
130605	PRESSURE SWITCH 50-30 1 LEVEL
130620	PRESSURE SWITCH 3 LEVEL 50-30/
130908	AUXILIARY CONTACT LA1 DO2 A65
130910	CONTACT LA1 D20 A65
130911	CONTACT LA1 D40 A65
150503	EXTENTION FOR MAIN SWITCH
180129	NUT FOR MAIN SWITCH SUPPORT
190138	SUPPORT
331960	BRACKET
350774	BRACKET
440817	SNAP RING LSCB/1853/17/00
450125	ELASTIC CLAMP D. 10,4X9,8
450323	KNOB FOR BC-BR-C95-C155
450330	KNOB FOR MAIN SWITCH
461234	PLATE "ELECTRONIC 3"
631214	ANTI-NOISE FILTER 4011135007 3
870027	MAIN SWITCH 200A
870045	SWITCH FOR MAIN SWITCH 200A

21 - electrical parts for pumps

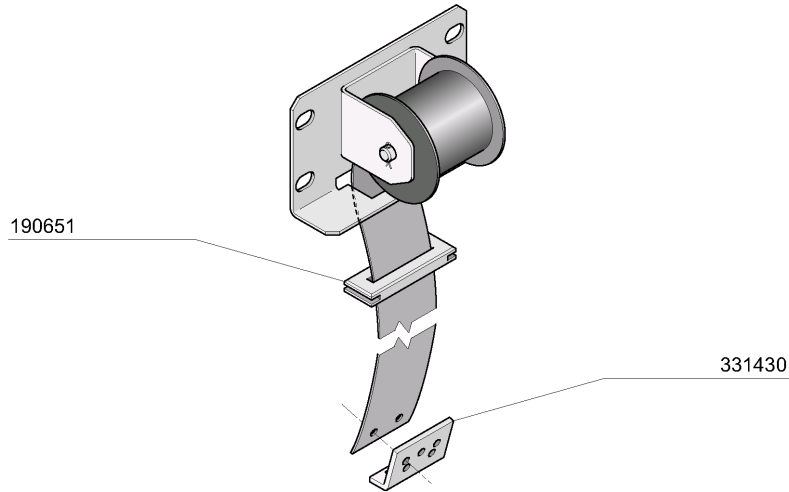
220/240 V					380/415 V				
KW	A	Fusibili Fusible Fuse Schmelzsicherung Fusible	A	Teleruttore Contacteur Contactor Schalterschütz Contactor	A	Fusibili Fusible Fuse Schmelzsicherung Fusible	A	Teleruttore Contacteur Contactor Schalterschütz Contactor	
3	12	130246	9	120428	8	130245	9	120428	
4	12	130246	9	120428	8	130245	9	120428	
4,2	12	130246	9	120428	8	130245	9	120428	
5	16	130247	12	120429	12	130246	9	120428	
6	20	130248	12	120429	12	130246	9	120428	
8	32	130237	25	120437	16	130247	12	120429	
9	32	130237	25	120437	16	130247	16	120430	
10	32	130237	25	120437	20	130248	16	120430	
12	40	130238	40	120431	25	130236	16	120430	
12,5	40	130238	40	120431	25	130236	25	120437	
14	40	130238	40	120431	32	130237	25	120437	
15	50	130257	40	120431	32	130237	25	120437	
16	50	130257	40	120431	32	130237	25	120437	
17	50	130257	40	120431	32	130237	40	120431	
18	63	130239	63	120431	32	130237	40	120431	
20	63	130239	63	120433	40	130238	40	120431	
21	63	130239	63	120433	40	130238	40	120431	
22	63	130239	63	120433	40	130238	40	120431	
23	80	130240	63	120433	40	130238	40	120431	
24	80	130240	63	120433	50	130257	40	120431	
25	80	130240	63	120433	50	130257	40	120431	
26	80	130240	80	120441	50	130257	40	120431	
27	80	130240	80	120441	50	130257	40	120431	
28	80	130240	80	120441	50	130257	40	120431	
29	80	130240	80	120441	50	130257	40	120431	
30	80	130240	80	120441	50	130257	40	120431	

Asciugatura - Sechage - Dryer - Trocknung - Secado								
220/240 V					380/415 V			
KW	A	Fusibili Fusible Fuse Schmelzsicherung Fusible	A	Teleruttore Contacteur Contactor Schalterschütz Contactor	A	Fusibili Fusible Fuse Schmelzsicherung Fusible	A	Teleruttore Contacteur Contactor Schalterschütz Contactor
6	20	130248	12	120429	12	130246	12	120429
9	25	130236	25	120437	16	130247	25	120437
12	40	130238	40	120431	25	130236	25	120437

M.G. 10/06

21 - electrical parts for pumps

CODE	DESCRIPTION
120428	CONTACTOR 9A 24V 50HZ
120429	CONTACTOR 12A 24V 50HZ
120430	CONTACTOR 17A 24V 50HZ
120431	CONTACTOR 40A 24V 50HZ
120433	CONTACTOR 63A 24V 50HZ
120437	CONTACTOR 25A 24V 50HZ
120441	CONTACTOR 80AMP 24V 50HZ
130236	FUSE 14X51 25A GF14325
130237	FUSE 14X51 32A GL14332
130238	FUSE 14X51 40A GF 14340
130239	FUSE 22X58 63A GF15363
130240	FUSE 22X58 80A GF15380
130245	FUSE 10.3X38 8A GF13308
130246	FUSE 10.3X38 12A GF13312
130247	FUSE 10.3X38 16A GF13316
130248	FUSE 20A-10,3X38 13320 G.F.
130257	FUSE 50A 14X51 GF14350

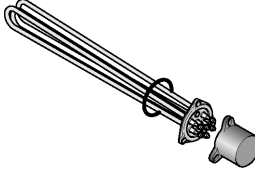


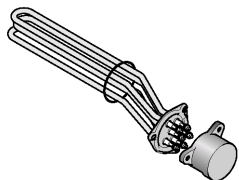
Tipo porta Type porte Door type Türtyp Modelo puerta		2,5 kg	4 kg	5,5 kg
Cod.		391315	391309	391332
400				
400	Doppia parete Double skin Double paroi Doppelwandig Dobla pared	(2x2,5) kg		
600		(2x2,5) kg		
600	Doppia parete Double skin Double paroi Doppelwandig Dobla pared		(2x4) kg	
900			(2x4) kg	
900	Doppia parete Double skin Double paroi Doppelwandig Dobla pared			(2x5,5) kg
1150				
1150	Doppia parete Double skin Double paroi Doppelwandig Dobla pared		(2x4) kg	

22 - door counterbalance

CODE	DESCRIPTION
190651	BUSH
331430	BRACKET FOR DOOR SPRING
391309	DOOR SPRING 4KG - 40MM
391315	DOOR SPRING 2,5KG - 40MM
391332	DOOR SPRING 5,5 KG - 40MM

Modello	Prelavaggio Prelavage Vorwaschzone Prelavado 600	Prelavaggio Prelavage Vorwaschzone Prelavado 900	Lavaggio Lavage Wash Waschzone Lavado 900	Lavaggio Lavage Wash Waschzone Lavado 600	Lavaggio Lavage Wash Waschzone Lavado 900	Ecorinse Ecorinse Ecorinse Ecorinse Ecorinse	Risciacquo Rincage Rinse Nachspülung Aclarado
ACRS 145			12 Kw (6kw+6kw)			4,2 Kw	16 Kw (8kw+8kw)
ACRS 145 RC			12 Kw (6kw+6kw)			4,2 Kw	16 Kw (8kw+8kw+6kw)
ACRS 205			12 Kw (6kw+6kw)			5 Kw	18 Kw (9kw+9kw)
ACRS 205 RC			12 Kw (6kw+6kw)			5 Kw	24 Kw (8kw+8kw+8kw)
ACRS 225		10 Kw (5kw+5kw)	12 Kw (6kw+6kw)			6 Kw	20 Kw (10kw+10kw)
ACRS 225 RC		10 Kw (5kw+5kw)	12 Kw (6kw+6kw)			6 Kw	24 Kw (9kw+9kw+8kw)
ACRS 245			10 Kw (5kw+5kw)	12 Kw (6kw+6kw)		6 Kw	20 Kw (10kw+10kw)
ACRS 245 RC			10 Kw (5kw+5kw)	12 Kw (6kw+6kw)		6 Kw	26 Kw (9kw+9kw+8kw)
ACRS 260			10 Kw (5kw+5kw)		12 Kw (6kw+6kw)	6 Kw	21 Kw (9kw+6kw+6kw)
ACRS 260 RC			10 Kw (5kw+5kw)		12 Kw (6kw+6kw)	6 Kw	27 Kw (9kw+9kw+9kw)
ACRS 265		10 Kw (5kw+5kw)	10 Kw (5kw+5kw)	12 Kw (6kw+6kw)		6 Kw	21 Kw (9kw+6kw+6kw)
ACRS 265 RC		10 Kw (5kw+5kw)	10 Kw (5kw+5kw)	12 Kw (6kw+6kw)		6 Kw	27 Kw (9kw+9kw+9kw)
ACRS 305		10 Kw (5kw+5kw)	10 Kw (5kw+5kw)		12 Kw (6kw+6kw)	6 Kw	24 Kw (8kw+8kw+8kw)
ACRS 305 RC		10 Kw (5kw+5kw)	10 Kw (5kw+5kw)		12 Kw (6kw+6kw)	6 Kw	27 Kw (9kw+9kw+9kw)

	4,2 Kw	110331
	5 Kw	110371
	6 Kw	110349
	8 Kw	110343
	9 Kw	110362
	10 Kw	110388

	Ecorinse	
	4,2 Kw	110282
	5 Kw	110283
	6 Kw	110284

23 - heating elements

CODE	DESCRIPTION
110282	ECORINSE HEATER 4200W ACRS
110283	ECORINSE HEATER 5000W ACRS
110284	HEAT.ELEMENT 6000W
110331	HEAT.ELEMENT 4200W 230/400V
110343	HEAT.ELEM. 8000W 220/380V
110349	HEAT.ELEMENT 6000W 230/400V
110362	HEAT.ELEMENT 9000W 220/380V
110371	HEAT.ELEMENT 5000W 220/380V
110388	HEAT.ELEMENT 10000W 230/400V

1,1 KW 220-240 V / 380-415 V **100703 (50 Hz)**
100666 (60 Hz)

630223
630501
631654 (50Hz)
631668 (60Hz)

630411
630114

630216
630306

2,6 KW 220-240 V / 380-415 V **100704 (50 Hz)**
100681 (60 Hz)

630223
630501
631620 (50Hz)
631647 (60Hz)

630411
630114

630216
630306

"ECORINSE" **0,35 KW 220-240 V / 380-415 V** **100647 (50 Hz)**
100669 (60 Hz)

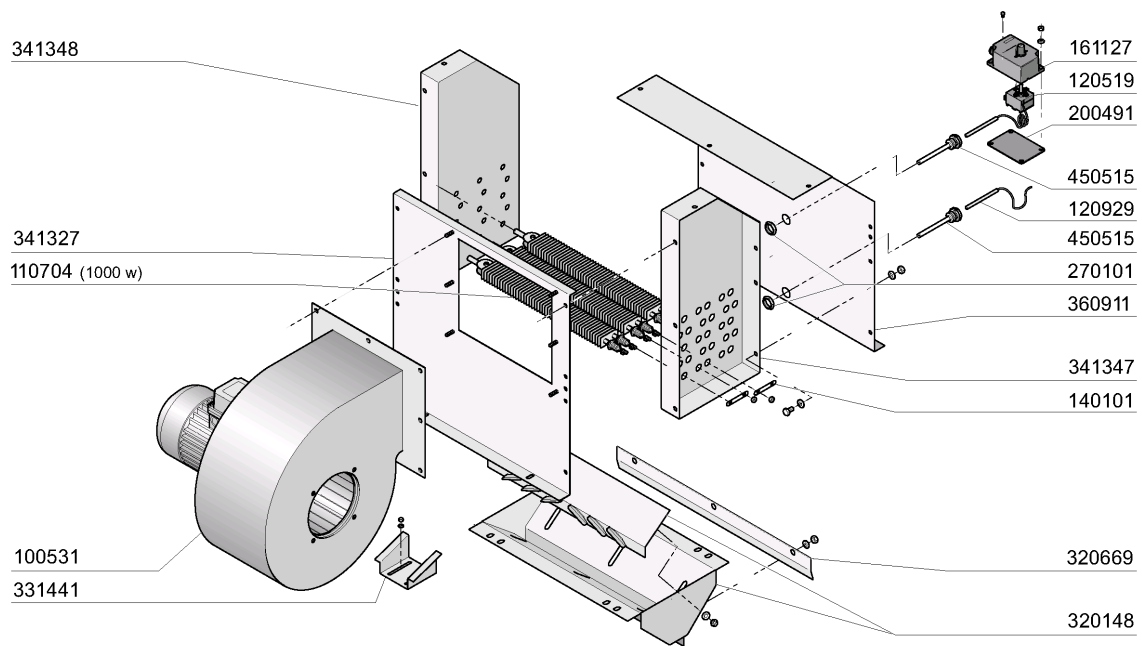
631675 (50Hz)
631705 (60Hz)
630416
630125

630235
630511

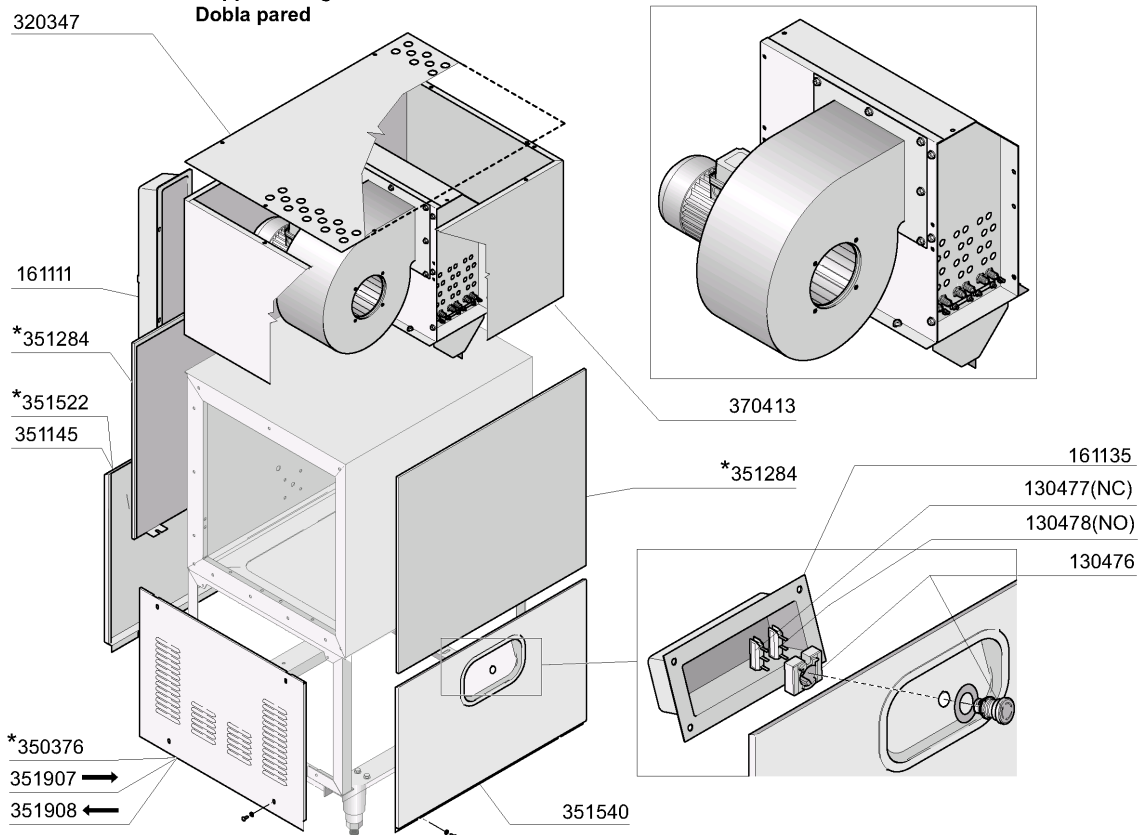
220/240 V						380/415 V				
Pompa Pompe Pump Pumpe Bomba		Teleruttore Contacteur Contactor Schaltschütz Contactor		Magnetotermici Magneto-termique Termo-magnetic Magnetischer schalter Magneto-termico		Teleruttore Contacteur Contactor Schaltschütz Contactor		Magnetotermici Magneto-termique Termo-magnetic Magnetischer schalter Magneto-termico		
Hp	Kw	A	cod.	A	cod	A	cod.	A	cod.	
0,46	0,35	9	120428	1 + 1,6	120821	9	120428	0,4 ÷ 0,63	120830	
2	1,1	9	120468	4 + 6	120824	9	120428	2,5 ÷ 4	120823	
3,6	2,6	12	120429	7 + 10	120828	9	120428	4 + 6	120824	

24 - pumps

CODE	DESCRIPTION
100647	PUMP HP 0,20 220/240/3 4226
100666	PUMP 1,5HP 220/380 60HZ 1241
100669	PUMP HP 0,12 220/380 60HZ C16
100681	PUMP 3,5HP 220/380 60HZ 2243
100703	PUMP 1,5HP 220/380 50HZ 1241
100704	PUMP HP 3,5 220/380 50HZ 1244
120428	CONTACTOR 9A 24V 50HZ
120429	CONTACTOR 12A 24V 50HZ
120468	CONTACTOR ABB 9A 24V 50/60HZ
120821	OVERLOAD RELAY 1/1,6A
120823	OVERLOAD RELAY 2.5/4 A
120824	OVERLOAD RELAY 4/6 A
120828	OVERLOAD RELAY 7/10 A
120830	OVERLOAD RELAY 0,40 - 0,63 A
630114	VOLUTE FI HP2-2,7-3-3,2
630125	VOLUTE 0,12/0,3(2212-29)
630216	FAN HOUSING FIR HP 2-3
630223	BACK PLATE PUMP HP2-3-3,2
630235	PUMP COVER 0,12/0,3 2212-19
630306	PUMP FAN IMPELLOR FI HP.2-3
630411	O-RING PUMP FI HP 2-2,7
630416	OR FOR VOLUTE 0,12/0,3
630501	SEAL FOR PUMP HP 2-3-3,2
630511	PUMP SEAL HP 0,10 82
631620	IMPELLER HP 3-3,2 1205-43
631647	IMPELLER D.100-60HZ-1204/5
631654	PUMP IMPELLER 1,5HP 50HZ 1241
631668	IMPELLER D.85 HP1,5-60HZ-1241
631675	ST/ST PUMP IMPELLER 0,2HP 2226
631705	IMPELLER 60HZ FOR PUMP 100669



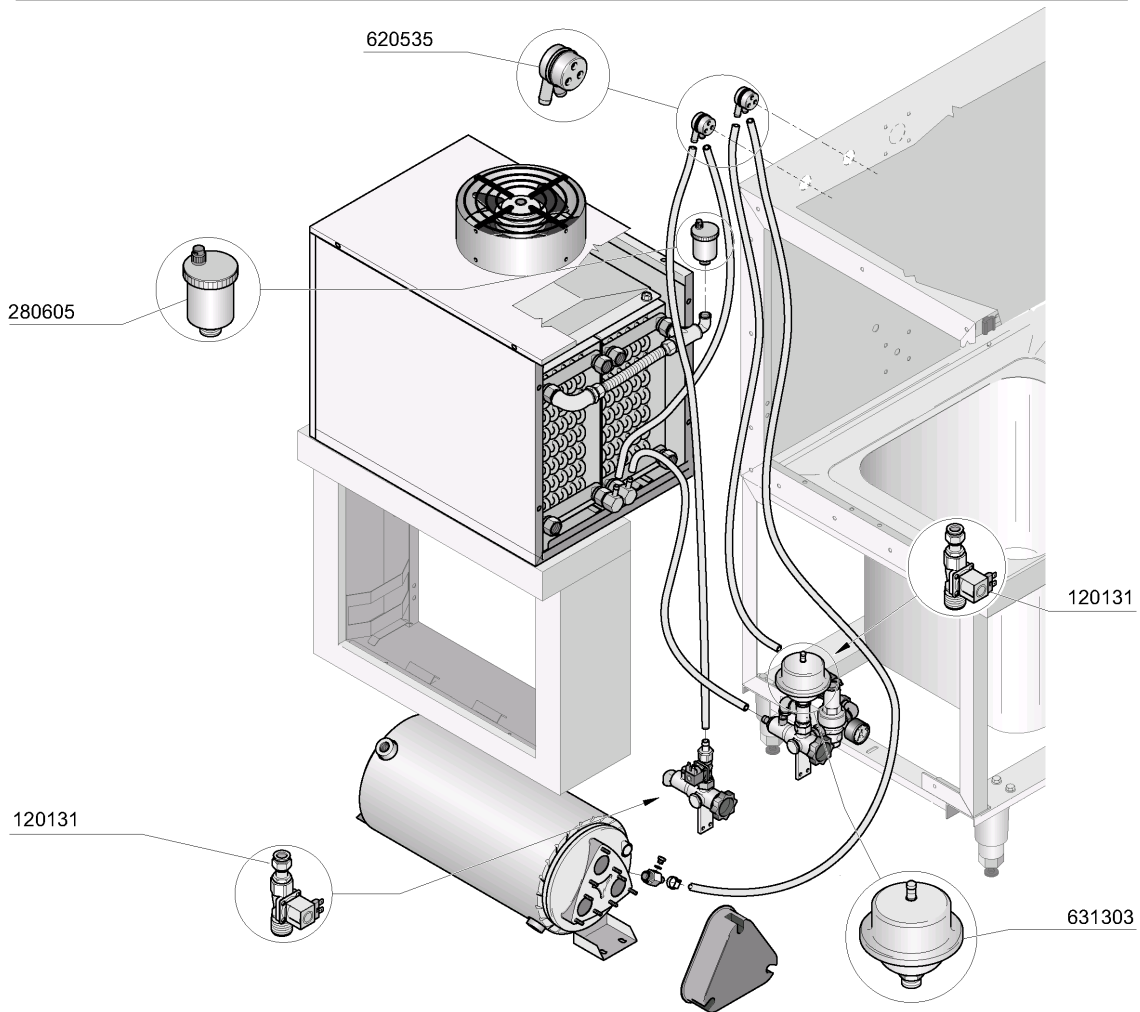
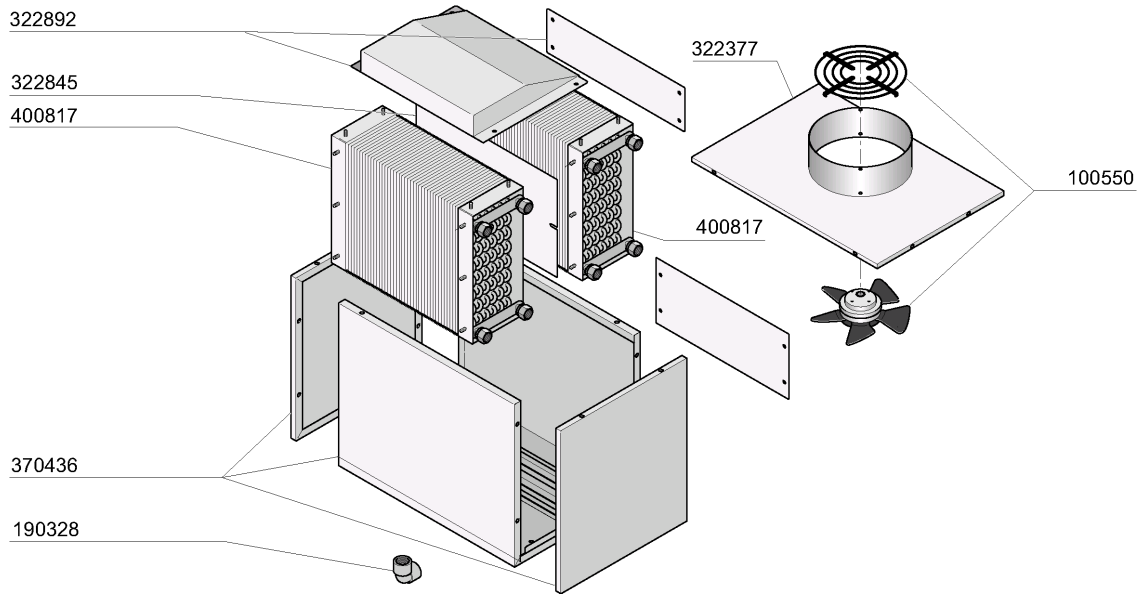
* Doppia parete
 Double skin
 Double paroi
 Doppelwandig
 Dobla pared



25 - Blower Dryer

CODE	DESCRIPTION
100531	FAN HP1,5-220/380/415-BPN9
110704	HEAT.ELEMENT/DRYING 1000W 220V
120519	SECURITY THERMOSTAT 95-125Ø
120929	PROBE 12 MT
130476	ROTATIVE EMERGENCY SWITCH
130477	CONTACT NC
130478	CONTACT N.O.
140101	BRASS CONNECT. PLATE HEAT.ELEM
161111	BACK COVER CHANNEL 130 N S2900
161127	BOX FOR THERMOSTAT
161135	PROTECTION FOR PUSH BUTTON NE
200491	BACK GASKET OF THERMOSTAT BOX
270101	HEXAGON LOCK NUT 1/2"
320148	DEFLECTOR F. DRYER
320347	COVER FOR DRYER
320669	FIXING PLATE
331441	BRACKET FOR DRYING VENTILATOR
341327	FAN SUPPORT
341347	RIGHT SUPPORT
341348	LEFT SUPPORT
350376	LATERAL PANEL AC
351145	PANEL
351284	PANEL
351522	BACK PANEL 800 ACR
351540	EMERG. PUSH BUTTON FRONT PANEL
351907	PANN.LAT.LE SX AC COIBENTATE
351908	PANN.LAT.LE DX AC COIBENTATE
360911	PANEL
370413	DRYING MODULE
450515	STAINL.ST.SHIELD FOR 1 THERMOS

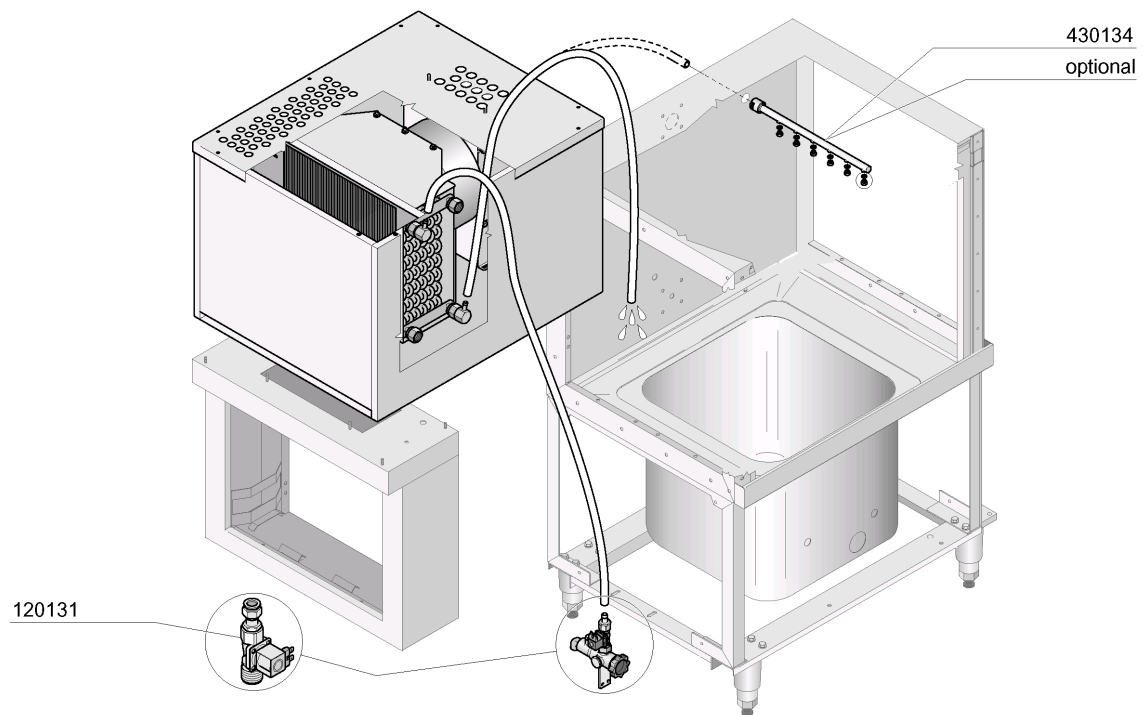
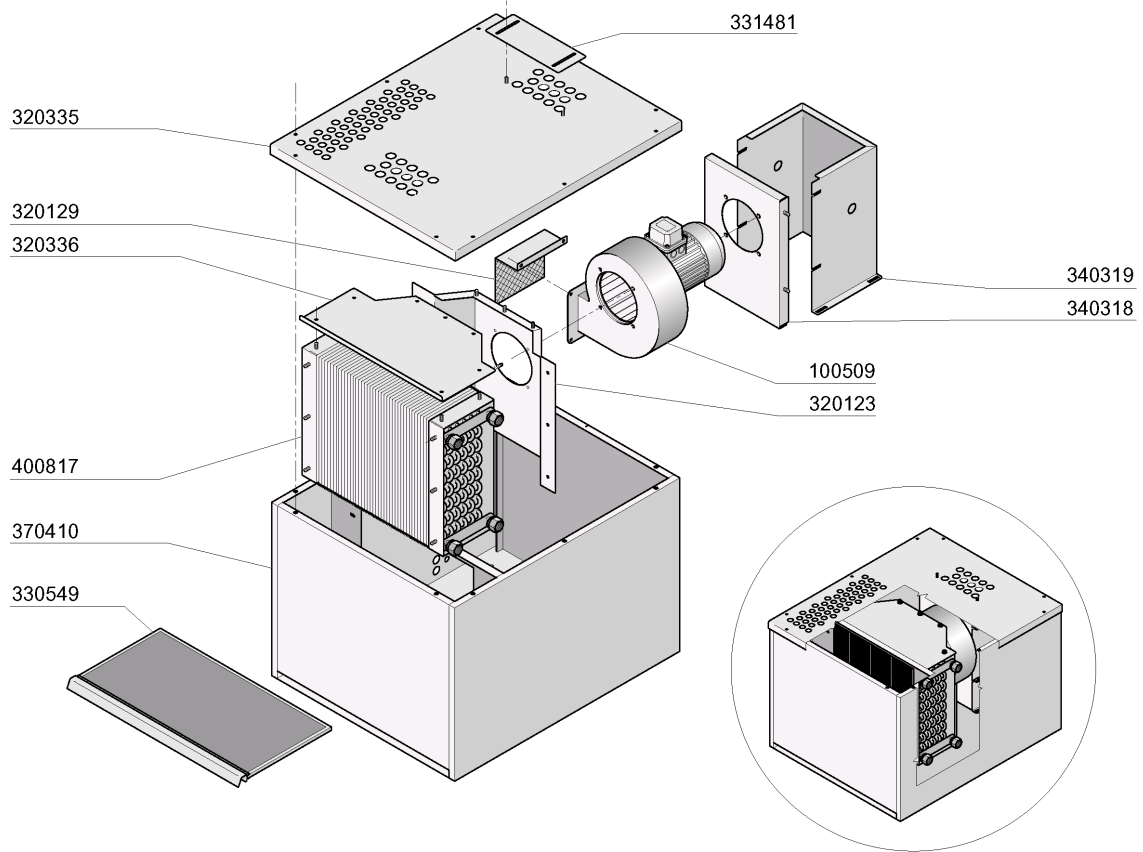
26 - Heat recovery unit



26 - Heat recovery unit

CODE	DESCRIPTION
100550	FAN FOR HEAT RECOVERY UNIT
120131	SOLE. L182Q31-ZB10A 1/2"24V
190328	DRAIN 3/4"
280605	AUTOMATIC AIR VENT 1/4" GAS
322377	COVER
322845	COVER
322892	COVER
370436	HOOD
400817	BATTERY FOR STEAM CONDENSER +
620535	VACUUM BREAKER
631303	HYDRAULIC AIR VESSEL FOR HEAT

27 - Steam Condenser

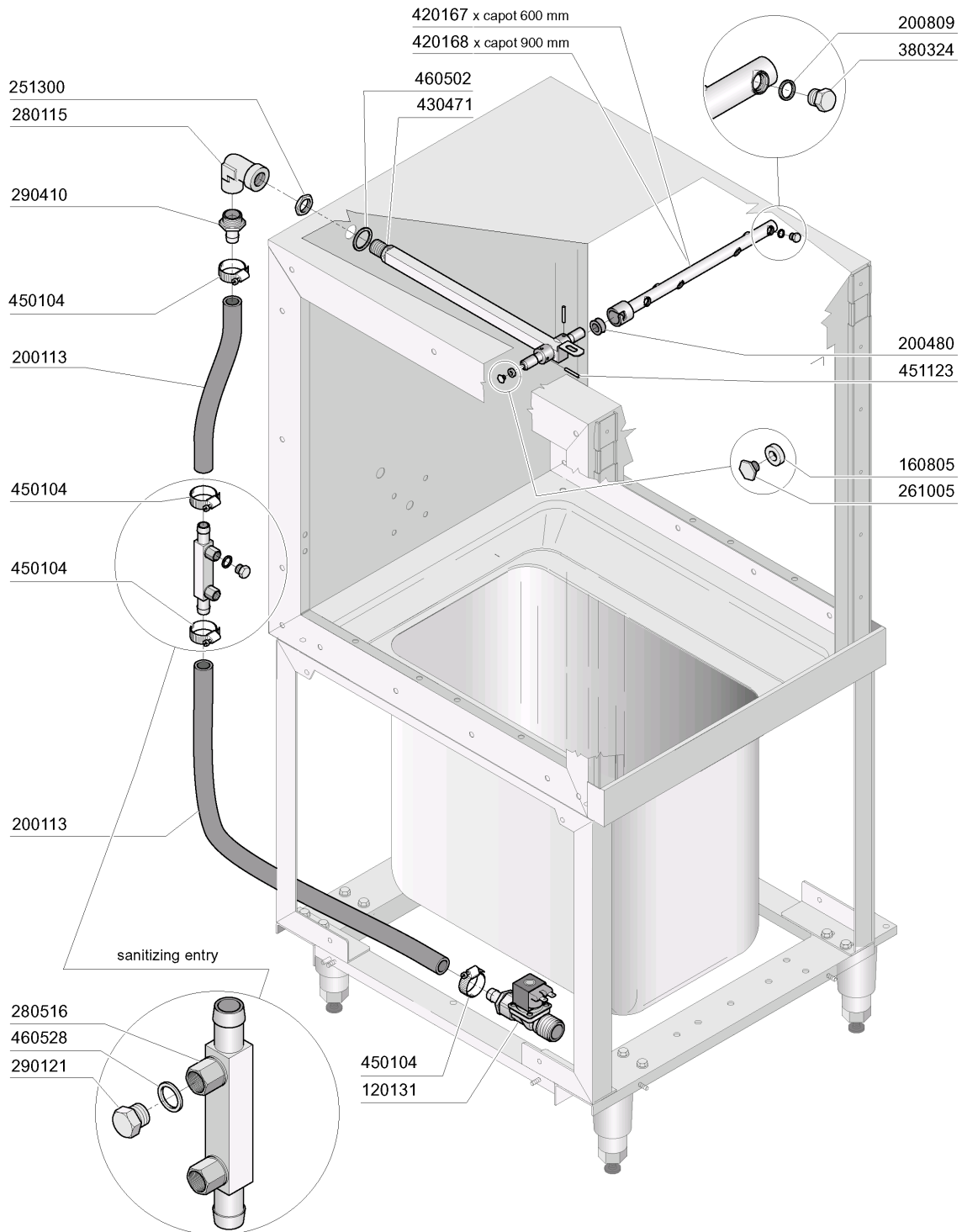


M.G. 01/08

27 - Steam Condenser

CODE	DESCRIPTION
100509	FAN 0,75HP 220/415 V164/2
120131	SOLEN. L182Q31-ZB10A 1/2"24V
320123	VORTEX BREAKER F.STEAM CONDENS
320129	VORTEX BREAKER F.STEAM CONDENS
320335	TOP PANEL FOR STEAM CONDENSER
320336	TOP PANEL FOR STEAM CONDENSER
330549	CONDENSATE UNIT FILTER
331481	BRACKET
340318	PANEL
340319	PANEL
370410	CONDENSER MODULE
400817	BATTERY FOR STEAM CONDENSER +
430134	RINSE ARM WITH CONNECTION NE

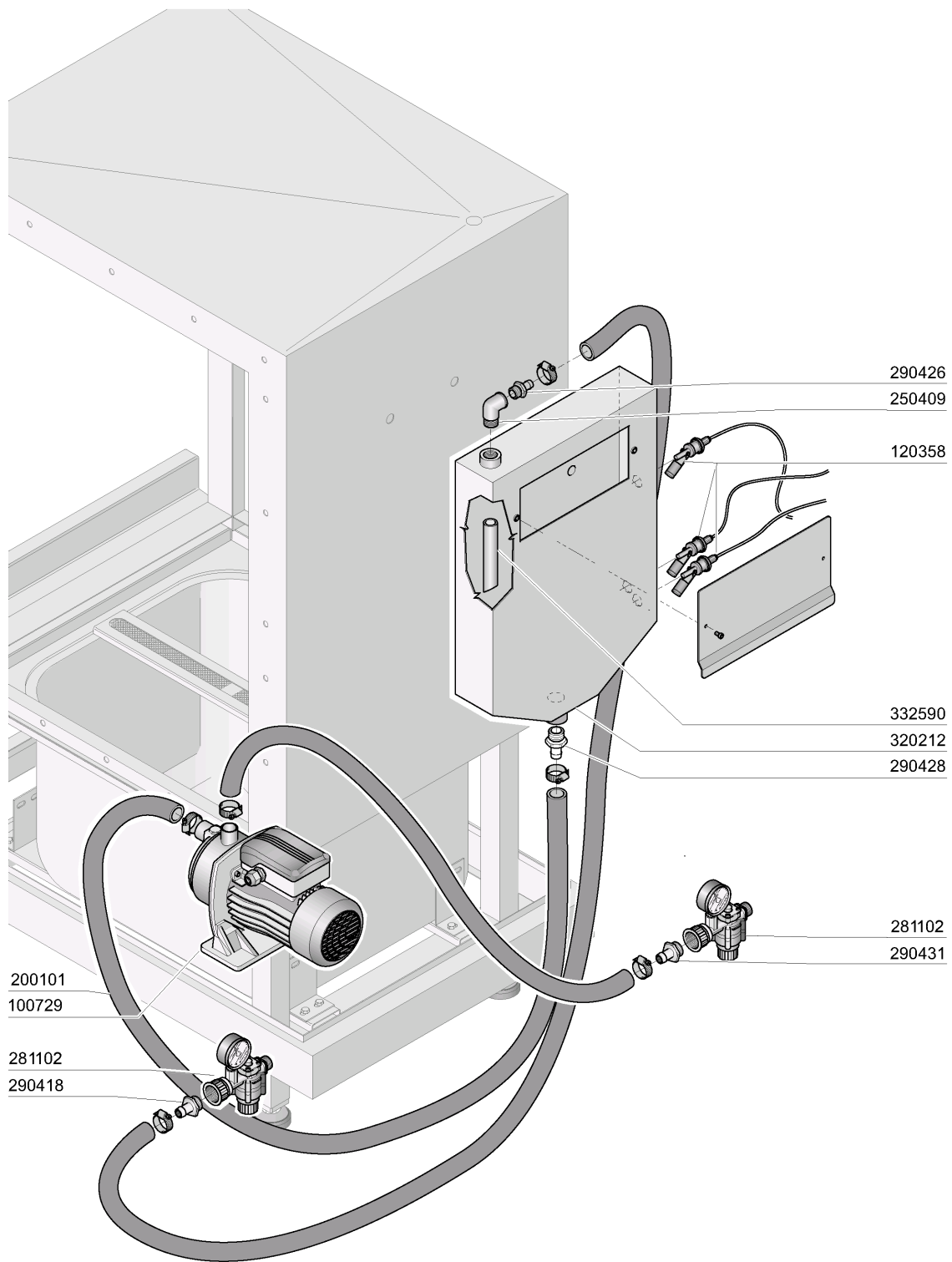
28 - Sanitising system



M.G. 01/08

28 - Sanitising system

CODE	DESCRIPTION
120131	SOLEN. L182Q31-ZB10A 1/2"24V
160805	GASKET D.8
200113	RUBBER HOSE 12 X 22
200480	GASKET F. RINSE CONNECT.
200809	OR GASKET 1,78X8,73X12,29
251300	S/S LOCK NUT 1/2" AC-ACR
261005	SCREW F. TEE UP.WASH F2-B41
280115	ELL 1/2"
280516	CONNECTION 14M X 2
290121	BRASS PLUG 1/8"
290410	NIPPLE 1/2"
380324	RINSE JETS 52,5 80Ø OV1/8"
420167	WASH ARM FOR SELF CLEANING
420168	WASH ARM FOR SELF CLEANING
430471	SEFWASH COLUMN
450104	CLAMP FE ZN H=12,5 15-24
451123	ELASTIC PIN 4X16
460502	GASKET 30X21X2
460528	GASKET 15X10X2 FOR RINSE NIPPE



29 - Break tank_TR

CODE	DESCRIPTION
100729	PUMP HP 0,4 220/240V 2HM3T
120358	FLOATING MAGN.SWITCH
200101	RUBBER TUBE 25X35
250409	INOX ELL FF 1/2"
281102	1/2" ADJ VALVE C/W GAUGE TYPE
290418	NIPPLE 1/2"
290426	NIPPLE 1/2"
290428	NIPPLE M.3/4"
290431	NIPPLE 1/2"
320212	BREAK TANK BOX
332590	STAINLESS STEEL HOSE FOR B.T.